



不锈钢
stainless steel



防腐耐磨
anticorrosive



品质上乘
High quality



Product Catalogue Wiring Accessories

www.yujiedq.com

配线器材·产品选型手册

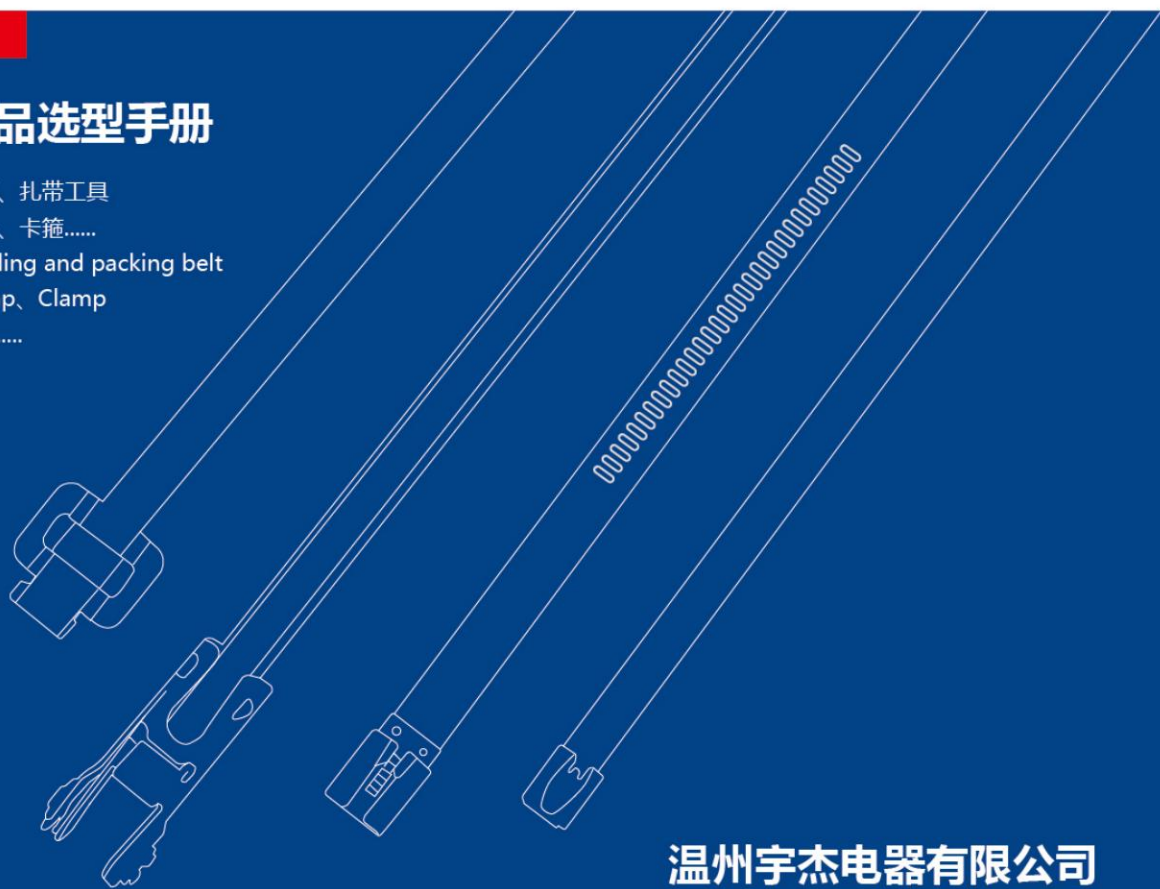
不锈钢扎带、扎带打包带、扎带工具

嵌片扎带、电缆防水接头、卡箍.....

Stainless steel tie、Binding and packing belt

Binding tool、Inlay strap、Clamp

Cable waterproof joint.....



温州宇杰电器有限公司
WENZHOU YUJIE ELECTRICAL APPLIANCE CO., LTD



宇我携手，杰创美好
HAND IN HAND WITH ME
CREATE BEAUTY TOGETHER



我们的目标是
在所涉足的业务中
都占据技术“主导”地位。

Our goal is In the business involved
Both occupy the "leading" position in technology.

宇我携手，杰创美好

Join Hands With Me To Create A Better Future

15 配线器材
行业深耕
Year

我们用客户是否成功，来衡量我们的创新是否成功，通过不断优化，以便为客户提供更优质的解决方案从而使我们得以创造可持续的价值。

We measure the success of our innovation by the success of our customers
Through continuous optimization, we can provide customers with better solutions so that we can create sustainable value

VISION
愿景

ABout US

关于宇杰

温州宇杰电器有限公司座落于“中国电器之都”温州柳市，是一家系集科工贸开发、制造、销售于一体的现代型企业。公司主营产品：不锈钢扎带、船用扎带、电缆扎带、电线扎带、扎带工具、钢钉线卡、尼龙扎带、电缆防水接头 接线端子等系列；产品规格齐全。

本公司拥有先进的生产设备、检测设备及雄厚的技术力量，具有完善的设计、制造、检测和开发能力；旨在以客户为中心，积极开拓国内市场、东南亚、欧洲及美洲等国家地区，与一些大型厂家建立了长期的供求关系，获得了诸多好评与信任。

面对未来，宇杰人有信心、有能力把公司做大做强，始终坚持“以品质为核心、以创新求发展”的战略方针，不断优化完善质量保障体系以及服务体系，以便能客户提供更好的产品，我们真诚的愿与每一位新老客户携手共进、合作共赢、共创美好的明天。

业竟成
A successful career

技至精
Skillful

和则兴
He Zexing

诚为本
Honesty oriented

宇我携手，杰创美好
HAND IN HAND WITH ME
CREATE BEAUTY TOGETHER

Wenzhou Yujie Electrical Appliance Co., Ltd. is located in Liushi, Wenzhou, the "Capital of Electrical Appliances in China". It is a modern enterprise that integrates scientific, industrial and trade development, manufacturing, and sales. Our company's main products include stainless steel zip ties, marine zip ties, cable zip ties, wire zip ties, zip tie tools, steel nail wire cards, nylon zip ties, cable waterproof connectors and wiring terminals, and other series; The product specifications are complete and the quality is excellent.

The company has advanced production equipment, testing equipment and strong technical force, and has perfect design, manufacturing, testing and development capabilities; It aims at taking customers as the center, actively exploring domestic markets, Southeast Asia, Europe, the Americas and other countries and regions, and has established long-term supply and demand relations with some large manufacturers, and has won many favorable comments and trust.

Facing the future, Yujie people have the confidence and ability to make the company bigger and stronger, always adhere to the strategic policy of "quality as the core, innovation and development", constantly optimize and improve the quality assurance system and service system, so as to provide customers with better products. We are sincerely willing to work together with each new and old customer to create a better tomorrow.





宇杰电器
YUJIE ELECTRICAL



优质的产品，赢得客户的信赖
High quality products win the trust of customers



以品质为核心、以全员参与为基础；
目的在于让客户满意放心
我们在产品质量上采用多项检查以及检测设备
为客户提供可靠的质量保证



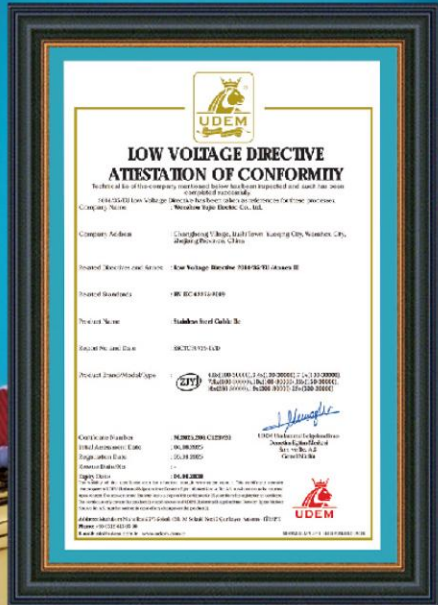
先进的检测设备 可靠的技术人员

Advanced detection equipment
Reliable technicians

Taking quality as the core and all staff participation as the basis;
The purpose is to satisfy and reassure customers
We use multiple inspection and testing equipment for product quality
Provide reliable quality assurance for customers

WORKSHOP
车间

宇我携手，杰创美好
HAND IN HAND WITH ME
CREATE BEAUTY TOGETHER





质量标准认可 品质保障

请认准宇杰产品
携手共创，成就未来

Please identify Yujie's products and work together to achieve the future

作为您的合作伙伴；
宇杰集广泛的技术与专业知识提供独特的服务与支持；
触手可及的宇杰智能化专业服务；
让你的需求得到及时的响应与解决。

As your partner;
Yujie gathers extensive technology and expertise to provide unique services and support;
Yujie intelligent professional services within reach;
Let your needs be responded and solved in a timely manner.



HONOR
荣誉

宇我携手，杰创美好

HAND IN HAND WITH ME

CREATE BEAUTY TOGETHER

Contents

目录



YJ4.6~12不锈钢紧锁钢珠扎带
(201-304-316)
Stainless steel locking ball tie



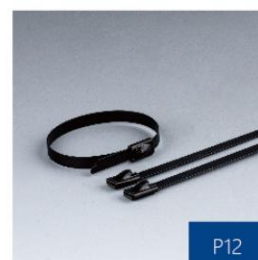
YJ16 YJ19不锈钢本体紧锁钢珠
扎带(201-304-316)
Stainless Steel Lock Steel Ball Ties



YJP4.6~19不锈钢紧锁喷塑
钢珠扎带(201-304-316)
Stainless steel locking spray steel ball tie



YJQP包塑自锁不锈钢扎带
Plastic-coated self-locking stainless
steel tie



YJQP4.6~12不锈钢紧锁全喷
钢珠扎带(201-304-316)
Stainless steel locking full spray steel
ball tie



YJCS4.6~12不锈钢紧锁彩色
钢珠扎带(201-304-316)
Stainless steel locking colored
steel ball tie



不锈钢打包带
Stainless Steel Tie(Ladder type)



包塑不锈钢扎带(盘带)BZ-1
PVC Coated Stainless Steel Cable Tie
(Discal Tie) BZ-1 Series



不锈钢打包扣
Stainless steel packing buckle



扎带工具
Cable tie Tool



阶梯式本体/阶梯式喷塑扎带
Ladder body/ladder spray plastic
binding



浸塑可退式不锈钢扎带
Immersion plastic removable
stainless steel tie



接地式不锈钢扎带
Grounding stainless steel tie



L型本体不锈钢扎带
L-type body stainless steel tie



L型喷塑/包塑不锈钢扎带
L-type plastic spray/plastic coated
stainless steel tie



宇杰电器
YUJIE ELECTRICAL



P25

万能钢带箍
Universal steel band clamp



P26

不锈钢标志牌
Marker Plate



P26

铝包带
Aluminum clad tape



P27

万能型不锈钢喷带
Universal stainless steel spray belt



P28

U型不锈钢扎带
U-shaped stainless steel tie



P28

牙型不锈钢扎带
Toothed stainless steel tie



P28

活型不锈钢扎带
Movable stainless steel tie



P29

美式喉箍
American Jets Hoop



P30

德式喉箍
German Jets Hoop



P31

单头实心强力卡箍
Single Head Solid Strong Clamp



P33

塑料电缆防水接头PG型
Plastic cable waterproof joint PG type



P34

金属电缆防水接头PG/G型
Metal cable waterproof joint PG/G type



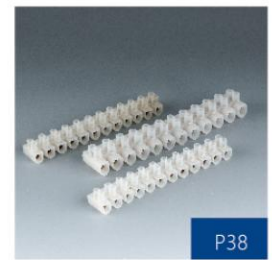
P36

Y尼龙扎带
Nylon Cable tie



P37

尼龙不锈钢嵌片扎带
Nylon cable tie-stainless steel Plate Lock Cable Tie



P38

接线端子
Terminal blocks

宇我携手，杰创美好
HAND IN HAND WITH ME
CREATE BEAUTY TOGETHER

Stainless steel
tie series

不锈钢扎带系列



Stainless steel locking ball tie

不锈钢紧锁钢珠扎带 (201-304-316)

产品特点 /Product features

不锈钢电缆扎带的技术性能完全符合 IEC92 号《船舶电气设备》和 GB1113-85《包塑金属电缆扎带》及《钢质海船入级与建造规范》有关规定。扎带正常工作条件环境温度 -25℃ ~160℃, 工作温度 ±85℃, 拉力 ≥ 900N, 本体材质 ICr18Ni9, 涂层 P.V.C. 适用于露天、潮湿、高温等室内外场所捆扎电缆, 具有抗磨、抗腐蚀、抗放射和防火性能。

Stainless steel cable technical feature brought to pitch accord with "electric equipment of boat", No. of IEC92, totally "is it mould with GB1113-85 metal cable is it bring to pitch to make" and "steel seagoing vessel enter magnitude and build norm" relevant regulation. Pitch and take the normal environment temperature of condition of work-25 degrees Centigrade-160 degrees Centigrade, working ±85 degrees Centigrade of temperature, ≥ 900N of pulling forcer, noumenonn material ICr18Ni9, coating P.V.C. Suitable for tying up the cable in the internal and external places of the room, such as in the open, humidity, high temperature, etc., resist and rub, be anticorrosive, resist and radiate and fire prevention performance.



技术参数 /technical parameter

规格 Specifications	长度 Approx.length mm(inch)	宽度 Approx.width mm(inch)	厚度 Thickness mm(inch)	最大捆绑 Max.Bundle Dia.mm(inch)	承受值 Min.Ten. Strength	包装 Packing (PCS)	外箱尺寸 Outer box size	每箱数量 Bag/ctn	毛净重 G.W/N.W
YJ4.6×100	100(3.93)	4.6(0.181)	0.25(0.0098)	20(0.787)	900N	100	40×22×18	100	17/16
YJ4.6×150	150(5.9)		0.25(0.0098)	37(1.46)	900N	100	46×22×20	100	22/21
YJ4.6×200	200(7.87)		0.25(0.0098)	50(1.97)	900N	100	30×22×18	50	13/12
YJ4.6×250	250(9.84)		0.25(0.0098)	65(2.56)	900N	100	40×22×18	50	17/16
YJ4.6×300	300(11.8)		0.25(0.0098)	80(3.15)	900N	100	40×22×18	50	18/17
YJ4.6×350	350(13.78)		0.25(0.0098)	95(3.74)	900N	100	46×22×18	50	21/20
YJ4.6×400	400(15.75)		0.25(0.0098)	110(4.3)	900N	100	50×20×16	40	19/18
YJ4.6×450	450(17.72)		0.25(0.0098)	125(4.92)	900N	100	55×20×16	40	21.5/20.5
YJ4.6×500	500(19.69)		0.25(0.0098)	140(5.51)	900N	100	60×20×16	40	23.5/22.5
YJ4.6×600	600(23.62)		0.25(0.0098)	170(6.69)	900N	100	70×20×16	30	20/19
YJ4.6×650	650(25.59)		0.25(0.0098)	185(7.29)	900N	100	75×17×12	25	19/18
YJ4.6×700	700(27.6)		0.25(0.0098)	200(7.87)	900N	100	80×17×12	25	20/19
YJ4.6×750	750(29.5)		0.25(0.0098)	215(8.46)	900N	100	85×17×12	25	21/20
YJ4.6×800	800(31.5)		0.25(0.0098)	230(9.05)	900N	100	90×15×11	20	18/17
YJ4.6×900	900(35.4)		0.25(0.0098)	260(10.23)	900N	100	100×15×11	20	20/19
YJ4.6×1000	1000(39.37)		0.25(0.0098)	300(11.81)	900N	100	110×12×10	15	17/16
YJ4.6×1100	1100(43.3)		0.25(0.0098)	330(12.99)	900N	100	120×12×10	15	19/18
YJ4.6×1200	1200(47.24)	0.25(0.0098)	360(14.17)	900N	100	130×12×10	15	20/19	
YJ4.6×1300	1300(51.18)	0.25(0.0098)	390(15.354)	900N	100	140×12×10	15	21/20	

Stainless steel locking ball tie

不锈钢紧锁钢珠扎带 (201-304-316)



产品特点 /Product features

不锈钢电缆扎带的技术性能完全符合 IEC92 号《船舶电气设备》和 GB1113-85《包塑金属电缆扎带》及《钢质海船入级与建造规范》有关规定。扎带正常工作条件环境温度 -25℃~160℃，工作温度 ±85℃，拉力 ≥ 1500N，本体材质 ICr18Ni9，涂层 P.V.C. 适用于露天、潮湿、高温等室内外场所捆扎电缆，具有抗磨、抗腐蚀、抗放射和防火性能。

各种长度皆可制作，特殊规格按客户供样制作；

The technical performance of stainless steel cable ties fully complies with the relevant provisions of IEC92 Electrical Equipment for Ships, GB1113-85 Plastic-coated Metal Cable Ties and Code for Classification and Construction of Steel Seagoing Ships. Under normal working conditions, the ambient temperature of the tie is - 25 °C ~160 °C , the working temperature is ± 85 °C , the tensile force is ≥ 1500N, the body material is ICr18Ni9, and the coating is P.V.C., which is suitable for binding cables in outdoor, wet, high temperature and other indoor and outdoor places, and has the properties of abrasion resistance, corrosion resistance, radiation resistance and fire resistance. Various lengths can be made, and special specifications can be made according to the sample provided by customers;



技术参数 /technical parameter

规格 Specifications	长度 Approx.length mm(inch)	宽度 Approx.width mm (inch)	厚度 Tickness mm(inch)	最大捆绑 Max.Bundle Dia. mm(inch)	承受值 Min.Ten. Strength	包装 Packing (PCS)	外箱尺寸 Outer box size	每箱数量 Bag/ctn	毛净重 G.W/N.W
YJ7.9×150	150(5.906)	7.9(0.311)	0.25(0.0098)	35(1.378)	1500N	100	30×22×18	50	21/20
YJ7.9×200	200(7.874)		0.25(0.0098)	50(1.969)	1500N	100	30×22×18	25	13.5/12.5
YJ7.9×250	250(9.843)		0.25(0.0098)	65(2.559)	1500N	100	36×20×15	25	15.5/14.5
YJ7.9×300	300(11.811)		0.25(0.0098)	80(3.150)	1500N	100	40×22×18	25	16.5/15.5
YJ7.9×350	350(13.780)		0.25(0.0098)	95(3.740)	1500N	100	46×22×18	25	19/18
YJ7.9×400	400(15.748)		0.25(0.0098)	110(4.331)	1500N	100	50×20×16	20	17/16
YJ7.9×450	450(17.717)		0.25(0.0098)	125(4.921)	1500N	100	55×20×16	20	18/17
YJ7.9×500	500(19.685)		0.25(0.0098)	140(5.512)	1500N	100	60×20×16	20	20/19
YJ7.9×600	600(23.622)		0.25(0.0098)	170(6.693)	1500N	100	70×20×16	20	24/23
YJ7.9×800	800(31.496)		0.25(0.0098)	230(9.055)	1500N	100	90×14×12	15	22.5/21.5
YJ7.9×850	850(33.465)		0.25(0.0098)	245(9.646)	1500N	100	95×14×12	15	24/23
YJ7.9×900	900(35.433)		0.25(0.0098)	260(10.236)	1500N	100	100×14×12	15	25/24
YJ7.9×950	950(37.402)		0.25(0.0098)	280(11.024)	1500N	100	105×14×12	15	26.5/25.5
YJ7.9×1000	1000(39.370)		0.25(0.0098)	300(14.173)	1500N	100	110×12×10	10	19.5/18.5
YJ7.9×1050	1050(41.339)		0.25(0.0098)	315(12.402)	1500N	100	115×12×10	10	20.5/19.5
YJ7.9×1100	1100(43.307)		0.25(0.0098)	330(12.992)	1500N	100	120×12×10	10	20.5/19.5
YJ7.9×1200	1200(47.244)		0.25(0.0098)	350(13.780)	1500N	100	120×12×10	10	23/22
YJ7.9×1500	1500(59.055)	0.25(0.0098)	450(17.717)	1500N	100	120×12×10	10	25/24	

Stainless steel locking ball tie

不锈钢紧锁钢珠扎带 (201-304-316)

产品特点 /Product features

不锈钢电缆扎带的技术性能完全符合 IEC92 号《船舶电气设备》和 GB1113-85《包塑金属电缆扎带》及《钢质海船入级与建造规范》有关规定。扎带正常工作条件环境温度 -25℃ ~160℃，工作温度 ±85℃，拉力 ≥ 1500N，本体材质 ICr18Ni9，涂层 P.V.C. 适用于露天、潮湿、高温等室内外场所捆扎电缆，具有抗磨、抗腐蚀、抗放射和防火性能。

厚度可选 (0.25mm/0.10inch 0.4mm/0.16inch)

各种长度皆可制作，特殊规格按客户供样制作；

The technical performance of stainless steel cable ties fully complies with the relevant provisions of IEC92 Electrical Equipment for Ships, GB1113-85 Plastic-coated Metal Cable Ties and Code for Classification and Construction of Steel Seagoing Ships. Under normal working conditions, the ambient temperature of the tie is - 25 °C ~160 °C , the working temperature is ± 85 °C , the tensile force is ≥ 1500N, the body material is ICr18Ni9, and the coating is P.V.C., which is suitable for binding cables in outdoor, wet, high temperature and other indoor and outdoor places, and has the properties of abrasion resistance, corrosion resistance, radiation resistance and fire resistance. Thickness optional (0.25mm/0.10inch 0.4mm/0.16inch) Various lengths can be made, and special specifications can be made according to the sample provided by customers;



技术参数 /technical parameter

规格 Specifications	长度 Approx.length mm(inch)	宽度 Approx.width mm (inch)	厚度 Tickness mm(inch)	最大捆绑 Max.BundleDia. mm(inch)	承受值 Min.Ten. Strength	包装 Packing (PCS)	外箱尺寸 Outer box size	每箱数量 Bag/ctn	毛净重 G.W/N.W
YJ10×150	150(5.906)	10(0.394)	0.25(0.0098)	35(1.378)	1500N	100	30×22×18	50	21/20
YJ10×200	200(7.874)		0.25(0.0098)	50(1.969)	1500N	100	30×22×18	25	13.5/12.5
YJ10×250	250(9.843)		0.25(0.0098)	65(2.559)	1500N	100	36×20×15	25	15.5/14.5
YJ10×300	300(11.811)		0.25(0.0098)	80(3.150)	1500N	100	40×22×18	25	16.5/15.5
YJ10×350	350(13.780)		0.25(0.0098)	95(3.740)	1500N	100	46×22×18	25	19/18
YJ10×400	400(15.748)		0.25(0.0098)	110(4.331)	1500N	100	50×20×16	20	17/16
YJ10×450	450(17.717)		0.25(0.0098)	125(4.921)	1500N	100	55×20×16	20	18/17
YJ10×500	500(19.685)		0.25(0.0098)	140(5.512)	1500N	100	60×20×16	20	20/19
YJ10×600	600(23.622)		0.25(0.0098)	170(6.693)	1500N	100	70×20×16	20	24/23
YJ10×800	800(31.496)		0.25(0.0098)	230(9.055)	1500N	100	90×14×12	15	22.5/21.5
YJ10×850	850(33.465)		0.25(0.0098)	245(9.646)	1500N	100	95×14×12	15	24/23
YJ10×900	900(35.433)		0.25(0.0098)	260(10.236)	1500N	100	100×14×12	15	25/24
YJ10×950	950(37.402)		0.25(0.0098)	280(11.024)	1500N	100	105×14×2	15	26.5/25.5
YJ10×1000	1000(39.370)		0.25(0.0098)	360(14.173)	1500N	100	110×12×10	10	19.5/18.5
YJ10×1050	1050(41.339)		0.25(0.0098)	315(12.402)	1500N	100	115×12×10	10	20.5/19.5
YJ10×1100	1100(43.307)		0.25(0.0098)	330(12.992)	1500N	100	1 20×12×10	10	20.5/19.5
YJ10×1200	1200(47.244)		0.25(0.0098)	350(13.780)	1500N	100	120×12×10	10	23/22
YJ10×1500	1500(59.055)		0.25(0.0098)	450(17.717)	1500N	100	120×12×10	10	25/24

Stainless steel locking ball tie

不锈钢紧锁钢珠扎带 (201-304-316)



产品特点 /Product features

不锈钢电缆扎带的技术性能完全符合 IEC92 号《船舶电气设备》和 GB1113-85《包塑金属电缆扎带》及《钢质海船入级与建造规范》有关规定。扎带正常工作条件环境温度 -25℃ ~160℃，工作温度 ±85℃，拉力 ≥ 2000N，本体材质 ICr18Ni9，涂层 P.V.C. 适用于露天、潮湿、高温等室内外场所捆扎电缆，具有抗磨、抗腐蚀、抗放射和防火性能。

各种长度皆可制作，特殊规格按客户供样制作；

The technical performance of stainless steel cable ties fully complies with the relevant provisions of IEC92 Electrical Equipment for Ships, GB1113-85 Plastic-coated Metal Cable Ties and Code for Classification and Construction of Steel Seagoing Ships. Under normal working conditions, the ambient temperature of the tie is - 25 °C ~160 °C , the working temperature is ± 85 °C , the tensile force is ≥ 2000N, the body material is ICr18Ni9, and the coating is P.V.C., which is suitable for binding cables in outdoor, wet, high temperature and other indoor and outdoor places, and has the properties of abrasion resistance, corrosion resistance, radiation resistance and fire protection. Various lengths can be made, and special specifications can be made according to the sample provided by customers;



技术参数 /technical parameter

规格 Specifications	长度 Approx.length mm(inch)	宽度 Approx.width mm (inch)	厚度 Tickness mm(inch)	最大捆绑 Max.Bundle Dia. mm(inch)	承受值 Min.Ten. Strength	包装 Packing (PCS)	外箱尺寸 Outer box size	每箱数量 Bag/ctn	毛净重 G.W/N.W
YJ12×200	200(7.874)	12(0.472)	0.25(0.0098)	50(1.969)	2000N	100	40×22×18	25	20/19
YJ12×250	250(9.843)		0.25(0.0098)	67(2.638)	2000N	100	40×22×18	20	19/18
YJ12×300	300(11.811)		0.25(0.0098)	80(3.150)	2000N	100	40×22×18	20	21.5/20.5
YJ12×350	350(13.780)		0.25(0.0098)	95(3.740)	2000N	100	46×22×18	20	23.5/22.5
YJ12×400	400(15.748)		0.25(0.0098)	110(4.331)	2000N	100	50×18×14	15	20/19
YJ12×450	450(17.717)		0.25(0.0098)	125(4.921)	2000N	100	55×18×14	15	21.5/20.5
YJ12×500	500(19.685)		0.25(0.0098)	140(5.512)	2000N	100	60×18×14	15	23.5/22.5
YJ12×550	550(21.654)		0.25(0.0098)	155(6.102)	2000N	100	65×18×14	15	25/24
YJ12×600	600(23.622)		0.25(0.0098)	170(6.693)	2000N	100	70×18×14	12	23/21
YJ12×650	650(25.591)		0.25(0.0098)	185(7.283)	2000N	100	75×18×14	12	23/22
YJ12×700	700(27.559)		0.25(0.0098)	200(7.874)	2000N	100	80×18×14	12	25/24
YJ12×750	750(29.528)		0.25(0.0098)	215(8.465)	2000N	100	85×18×14	12	26/25
YJ12×800	800(31.496)		0.25(0.0098)	230(9.055)	2000N	100	90×18×14	12	27.5/26.5
YJ12×850	850(33.465)		0.25(0.0098)	215(8.465)	2000N	100	95×16×14	10	24/23
YJ12×900	900(35.433)		0.25(0.0098)	260(10.236)	2000N	100	100×16×14	10	26/25
YJ12×950	950(37.402)		0.25(0.0098)	275(10.827)	2000N	100	105×16×14	10	27/26
YJ12×1000	1000(39.370)		0.25(0.0098)	300(11.811)	2000N	100	110×16×14	10	28/27
YJ12×1050	1050(41.339)		0.25(0.0098)	330(12.992)	2000N	100	115×16×14	10	29/28
YJ12×1100	1100(43.307)		0.25(0.0098)	360(14.173)	2000N	100	120×16×14	10	30/29
YJ12×1200	1200(47.244)		0.25(0.0098)	390(15.354)	2000N	100	130×16×14	10	31/30
YJ12×1500	1500(59.055)	0.25(0.0098)	390(15.354)	2000N	100	130×16×14	8	31/30	

Stainless Steel Lock Steel Ball Ties

不锈钢本体紧锁钢珠扎带 (201-304-316)

产品特点 /Product features

不锈钢电缆扎带的技术性能完全符合 IEC92 号《船舶电气设备》和 GB1113-85《包塑金属电缆扎带》及《钢质海船入级与建造规范》有关规定。扎带正常工作条件环境温度 -25℃~160℃, 工作温度 ±85℃, 拉力 ≥ 2000N, 本体材质 ICr18Ni9, 涂层 P.V.C. 适用于露天、潮湿、高温等室内外场所捆扎电缆, 具有抗磨、抗腐蚀、抗放射和防火性能。

各种长度皆可制作, 特殊规格按客户供样制作;

The technical performance of stainless steel cable ties fully complies with the relevant provisions of IEC92 Electrical Equipment for Ships, GB1113-85 Plastic-coated Metal Cable Ties and Code for Classification and Construction of Steel Seagoing Ships. Under normal working conditions, the ambient temperature of the tie is - 25 °C ~160 °C , the working temperature is ± 85 °C , the tensile force is ≥ 2000N, the body material is ICr18Ni9, and the coating is P.V.C., which is suitable for binding cables in outdoor, wet, high temperature and other indoor and outdoor places, and has the properties of abrasion resistance, corrosion resistance, radiation resistance and fire protection.

Various lengths can be made, and special specifications can be made according to the sample provided by customers;



技术参数 /technical parameter

规格 Specifications	长度 Approx.length mm(inch)	宽度 Approx.width mm(inch)	厚度 Tickness mm(inch)	最大捆绑 Max.Bundle Dia. mm(inch)	承受值 Min.Ten. Strength	包装 Packing (PCS)
YJ16×300	300(11.811)	16(0.63)	0.4(0.016)	85.54(3.368)	2548N	50
YJ16×350	350(13.780)			101.46(3.994)		
YJ16×400	400(15.748)			117.39(4.622)		
YJ16×500	500(19.685)			149.24(5.876)		
YJ16×600	600(23.622)			181.08(7.129)		
YJ16×700	700(27.559)			212.93(8.383)		
YJ16×1000	1000(39.370)			308.47(12.144)		
YJ16×1200	1200(47.244)			372.17(14.652)		
YJ19×400	400(15.748)	19(0.748)	0.5(0.02)	117.39(4.622)	2940N	50
YJ19×500	500(19.685)			149.24(5.876)		
YJ19×600	600(23.622)			181.08(7.129)		
YJ19×800	800(31.496)			244.78(9.637)		
YJ19×1000	1000(39.370)			308.47(12.144)		
YJ19×1200	1200(47.244)			372.17(14.652)		
YJ19×1500	1500(59.055)			467.71(18.414)		

Stainless steel locking spray steel ball tie 不锈钢紧锁喷塑钢珠扎带 (201-304-316)



产品特点 /Product features

不锈钢电缆扎带的技术性能完全符合 IEC92 号《船舶电气设备》和 GB1113-85《包塑金属电缆扎带》及《钢质海船入级与建造规范》有关规定。扎带正常工作条件环境温度 -25℃ ~160℃，工作温度 ±85℃，拉力 ≥ 900N，本体材质 ICr18Ni9，涂层 P.V.C. 适用于露天、潮湿、高温等室内外场所捆扎电缆，具有抗磨、抗腐蚀、抗放射和防火性能。

宽度规格多样：4.6、7.9、12、10、16、19mm 等规格
各种长度皆可制作，特殊规格按客户供样制作；

The technical performance of stainless steel cable ties fully complies with the relevant provisions of IEC92 Electrical Equipment for Ships, GB1113-85 Plastic-coated Metal Cable Ties and Code for Classification and Construction of Steel Seagoing Ships. Under normal working conditions, the ambient temperature of the tie is - 25 °C ~160 °C , the working temperature is ± 85 °C , the tensile force is ≥ 900N, the body material is ICr18Ni9, and the coating is P.V.C., which is suitable for binding cables in outdoor, wet, high temperature and other indoor and outdoor places, and has the properties of abrasion resistance, corrosion resistance, radiation resistance and fire resistance.

Various width specifications: 4.6,7.9,10,12,16,19 mm, etc
Various lengths can be made, and special specifications can be made according to the sample provided by customers;



技术参数 /technical parameter

规格 Specifications	长度 Approx.length mm(inch)	宽度 Approx.width mm (inch)	厚度 Tickness mm(inch)	最大捆绑 Max.Bundle Dia. mm(inch)	承受值 Min.Ten. Strength	包装 Packing (PCS)	外箱尺寸 Outer box size	每箱数量 Bag/ctn	毛净重 G.W/N.W
YJP4.6×150	150(5.906)	4.6(0.181)	0.35(0.0138)	35(1.378)	1500N	100	30×22×18	50	21/20
YJP4.6×200	200(7.874)		0.35(0.0138)	50(1.969)	1500N	100	30×22×18	25	13.5/12.5
YJP4.6×250	250(9.843)		0.35(0.0138)	65(2.559)	1500N	100	36×20×15	25	15.5/14.5
YJP4.6×300	300(11.811)		0.35(0.0138)	80(3.150)	1500N	100	40×22×18	25	16.5/15.5
YJP4.6×350	350(13.780)		0.35(0.0138)	95(3.740)	1500N	100	46×22×18	25	19/18
YJP4.6×400	400(15.748)		0.35(0.0138)	110(4.331)	1500N	100	50×20×16	20	17/16
YJP4.6×450	450(17.717)		0.35(0.0138)	125(4.921)	1500N	100	55×20×16	20	18/17
YJP4.6×500	500(19.685)		0.35(0.0138)	140(5.512)	1500N	100	60×20×16	20	20/19
YJP4.6×600	600(23.622)		0.35(0.0138)	170(6.693)	1500N	100	70×20×16	20	24/23
YJP4.6×800	800(31.496)		0.35(0.0138)	230(9.055)	1500N	100	90×14×12	15	22.5/21.5
YJP4.6×850	850(33.465)		0.35(0.0138)	245(9.646)	1500N	100	95×14×12	15	24/23
YJP4.6×900	900(35.433)		0.35(0.0138)	260(10.236)	1500N	100	100×14×12	15	25/24
YJP4.6×950	950(37.402)		0.35(0.0138)	280(11.024)	1500N	100	105×14×2	15	26.5/25.5
YJP4.6×1000	1000(39.370)		0.35(0.0138)	360(14.173)	1500N	100	110×12×10	10	19.5/18.5
YJP4.6×1050	1050(41.339)		0.35(0.0138)	315(12.402)	1500N	100	115×12×10	10	20.5/19.5
YJP4.6×1100	1100(43.307)		0.35(0.0138)	330(12.992)	1500N	100	1 20×12×10	10	20.5/19.5

Stainless steel locking spray steel ball tie 不锈钢紧锁喷塑钢珠扎带 (201-304-316)



产品特点 /Product features

不锈钢电缆扎带的技术性能完全符合 IEC92 号《船舶电气设备》和 GB1113-85《包塑金属电缆扎带》及《钢质海船入级与建造规范》有关规定。扎带正常工作条件环境温度 -25℃ ~160℃, 工作温度 ±85℃, 拉力 ≥ 900N, 本体材质 ICr18Ni9, 涂层 P.V.C. 适用于露天、潮湿、高温等室内外场所捆扎电缆, 具有抗磨、抗腐蚀、抗放射和防火性能。

宽度规格多样: 4.6、7.9、12、10、16、19mm 等规格
各种长度皆可制作, 特殊规格按客户供样制作;

The technical performance of stainless steel cable ties fully complies with the relevant provisions of IEC92 Electrical Equipment for Ships, GB1113-85 Plastic-coated Metal Cable Ties and Code for Classification and Construction of Steel Seagoing Ships. Under normal working conditions, the ambient temperature of the tie is - 25 °C ~160 °C , the working temperature is ± 85 °C , the tensile force is ≥ 900N, the body material is ICr18Ni9, and the coating is P.V.C., which is suitable for binding cables in outdoor, wet, high temperature and other indoor and outdoor places, and has the properties of abrasion resistance, corrosion resistance, radiation resistance and fire resistance.

Various width specifications: 4.6,7.9,10,12,16,19 mm, etc
Various lengths can be made, and special specifications can be made according to the sample provided by customers;



技术参数 /technical parameter

规格 Specifications	长度 Approx.length mm(inch)	宽度 Approx.width mm(inch)	厚度 Thickness mm(inch)	最大捆绑 Max.Bundle Dia. mm(inch)	承受值 Min.Ten. Strength	包装 Packing (PCS)	外箱尺寸 Outer box size	每箱数量 Bag/ctn	毛净重 G.W/N.W
YJP7.9×150	150(5.906)	7.9(0.311)	0.35(0.0138)	35(1.378)	1500N	100	30×22×18	50	21/20
YJP7.9×200	200(7.874)		0.35(0.0138)	50(1.969)	1500N	100	30×22×18	25	13.5/12.5
YJP7.9×250	250(9.843)		0.35(0.0138)	65(2.559)	1500N	100	36×20×15	25	15.5/14.5
YJP7.9×300	300(11.811)		0.35(0.0138)	80(3.150)	1500N	100	40×22×18	25	16.5/15.5
YJP7.9×350	350(13.780)		0.35(0.0138)	95(3.740)	1500N	100	46×22×18	25	19/18
YJP7.9×400	400(15.748)		0.35(0.0138)	110(4.331)	1500N	100	50×20×16	20	17/16
YJP7.9×450	450(17.717)		0.35(0.0138)	125(4.921)	1500N	100	55×20×16	20	18/17
YJP7.9×500	500(19.685)		0.35(0.0138)	140(5.512)	1500N	100	60×20×16	20	20/19
YJP7.9×600	600(23.622)		0.35(0.0138)	170(6.693)	1500N	100	70×20×16	20	24/23
YJP7.9×800	800(31.496)		0.35(0.0138)	230(9.055)	1500N	100	90×14×12	15	22.5/21.5
YJP7.9×850	850(33.465)		0.35(0.0138)	245(9.646)	1500N	100	95×14×12	15	24/23
YJP7.9×900	900(35.433)		0.35(0.0138)	260(10.236)	1500N	100	100×14×12	15	25/24
YJP7.9×950	950(37.402)		0.35(0.0138)	280(11.024)	1500N	100	105×14×2	15	26.5/25.5
YJP7.9×1000	1000(39.370)		0.35(0.0138)	360(14.173)	1500N	100	110×12×10	10	19.5/18.5
YJP7.9×1050	1050(41.339)		0.35(0.0138)	315(12.402)	1500N	100	115×12×10	10	20.5/19.5
YJP7.9×1100	1100(43.307)		0.35(0.0138)	330(12.992)	1500N	100	1 20×12×10	10	20.5/19.5

Stainless steel locking spray steel ball tie 不锈钢紧锁喷塑钢珠扎带 (201-304-316)



产品特点 /Product features

不锈钢电缆扎带的技术性能完全符合 IEC92 号《船舶电气设备》和 GB1113-85《包塑金属电缆扎带》及《钢质海船入级与建造规范》有关规定。扎带正常工作条件环境温度 -25℃ ~160℃，工作温度 ±85℃，拉力 ≥ 900N，本体材质 ICr18Ni9，涂层 P.V.C. 适用于露天、潮湿、高温等室内外场所捆扎电缆，具有抗磨、抗腐蚀、抗放射和防火性能。

宽度规格多样：4.6、7.9、10、12、16、19mm 等规格
各种长度皆可制作，特殊规格按客户供样制作；

The technical performance of stainless steel cable ties fully complies with the relevant provisions of IEC92 Electrical Equipment for Ships, GB1113-85 Plastic-coated Metal Cable Ties and Code for Classification and Construction of Steel Seagoing Ships. Under normal working conditions, the ambient temperature of the tie is - 25 °C ~160 °C , the working temperature is ± 85 °C , the tensile force is ≥ 900N, the body material is ICr18Ni9, and the coating is P.V.C., which is suitable for binding cables in outdoor, wet, high temperature and other indoor and outdoor places, and has the properties of abrasion resistance, corrosion resistance, radiation resistance and fire resistance.

Various width specifications: 4.6, 7.9, 10, 12, 16, 19 mm, etc
Various lengths can be made, and special specifications can be made according to the sample provided by customers;



技术参数 /technical parameter

规格 Specifications	长度 Approx.length mm(inch)	宽度 Approx.width mm(inch)	厚度 Tickness mm(inch)	最大捆绑 Max.Bundle Dia. mm(inch)	承受值 Min.Ten. Strength	包装 Packing (PCS)	外箱尺寸 Outer box size	每箱数量 Bag/ctn	毛净重 G.W/N.W
YJP10×150	150(5.906)	10(0.394)	0.35(0.0138)	35(1.378)	1500N	100	30×22×18	50	21/20
YJP10×200	200(7.874)		0.35(0.0138)	50(1.969)	1500N	100	30×22×18	25	13.5/12.5
YJP10×250	250(9.843)		0.35(0.0138)	65(2.559)	1500N	100	36×20×15	25	15.5/14.5
YJP10×300	300(11.811)		0.35(0.0138)	80(3.150)	1500N	100	40×22×18	25	16.5/15.5
YJP10×350	350(13.780)		0.35(0.0138)	95(3.740)	1500N	100	46×22×18	25	19/18
YJP10×400	400(15.748)		0.35(0.0138)	110(4.331)	1500N	100	50×20×16	20	17/16
YJP10×450	450(17.717)		0.35(0.0138)	125(4.921)	1500N	100	55×20×16	20	18/17
YJP10×500	500(19.685)		0.35(0.0138)	140(5.512)	1500N	100	60×20×16	20	20/19
YJP10×600	600(23.622)		0.35(0.0138)	170(6.693)	1500N	100	70×20×16	20	24/23
YJP10×800	800(31.496)		0.35(0.0138)	230(9.055)	1500N	100	90×14×12	15	22.5/21.5
YJP10×850	850(33.465)		0.35(0.0138)	245(9.646)	1500N	100	95×14×12	15	24/23
YJP10×900	900(35.433)		0.35(0.0138)	260(10.236)	1500N	100	100×14×12	15	25/24
YJP10×950	950(37.402)		0.35(0.0138)	280(11.024)	1500N	100	105×14×2	15	26.5/25.5
YJP10×1000	1000(39.370)		0.35(0.0138)	360(14.173)	1500N	100	110×12×10	10	19.5/18.5
YJP10×1050	1050(41.339)		0.35(0.0138)	315(12.402)	1500N	100	115×12×10	10	20.5/19.5
YJP10×1100	1100(43.307)		0.35(0.0138)	330(12.992)	1500N	100	1 20×12×10	10	20.5/19.5

Stainless steel locking spray steel ball tie 不锈钢紧锁喷塑钢珠扎带 (201-304-316)



产品特点 /Product features

不锈钢电缆扎带的技术性能完全符合 IEC92 号《船舶电气设备》和 GB1113-85《包塑金属电缆扎带》及《钢质海船入级与建造规范》有关规定。扎带正常工作条件环境温度 -25℃ ~160℃，工作温度 ±85℃，拉力 ≥ 900N，本体材质 ICr18Ni9，涂层 P.V.C. 适用于露天、潮湿、高温等室内外场所捆扎电缆，具有抗磨、抗腐蚀、抗放射和防火性能。

宽度规格多样：4.6、7.9、10、12、16、19mm 等规格
各种长度皆可制作，特殊规格按客户供样制作；

The technical performance of stainless steel cable ties fully complies with the relevant provisions of IEC92 Electrical Equipment for Ships, GB1113-85 Plastic-coated Metal Cable Ties and Code for Classification and Construction of Steel Seagoing Ships. Under normal working conditions, the ambient temperature of the tie is - 25 °C ~160 °C , the working temperature is ± 85 °C , the tensile force is ≥ 900N, the body material is ICr18Ni9, and the coating is P.V.C., which is suitable for binding cables in outdoor, wet, high temperature and other indoor and outdoor places, and has the properties of abrasion resistance, corrosion resistance, radiation resistance and fire resistance.

Various width specifications: 4.6, 7.9, 10, 12, 16, 19 mm, etc
Various lengths can be made, and special specifications can be made according to the sample provided by customers;



技术参数 /technical parameter

规格 Specifications	长度 Approx.length mm(inch)	宽度 Approx.width mm(inch)	厚度 Tickness mm(inch)	最大捆绑 Max.Bundle Dia. mm(inch)	承受值 Min.Ten. Strength	包装 Packing (PCS)	外箱尺寸 Outer box size	每箱数量 Bag/ctn	毛净重 G.W/N.W
YJP12×200	200(7.874)	12(3.11)	0.35(0.0138)	50(1.969)	2000N	100	40×22×18	25	20/19
YJP12×250	250(9.843)		0.35(0.0138)	67(2.638)	2000N	100	40×22×18	20	19/18
YJP12×300	300(11.811)		0.35(0.0138)	80(3.150)	2000N	100	40×22×18	20	21.5/20.5
YJP12×350	350(13.780)		0.35(0.0138)	95(3.740)	2000N	100	46×22×18	20	23.5/22.5
YJP12×400	400(15.748)		0.35(0.0138)	110(4.331)	2000N	100	50×18×14	15	20/19
YJP12×450	450(17.717)		0.35(0.0138)	125(4.921)	2000N	100	55×18×14	15	21.5/20.5
YJP12×500	500(19.685)		0.35(0.0138)	140(5.512)	2000N	100	60×18×14	15	23.5/22.5
YJP12×550	550(21.654)		0.35(0.0138)	155(6.102)	2000N	100	65×18×14	15	25/24
YJP12×600	600(23.622)		0.35(0.0138)	170(6.693)	2000N	100	70×18×14	12	23/21
YJP12×650	650(25.591)		0.35(0.0138)	185(7.283)	2000N	100	75×18×14	12	23/22
YJP12×700	700(27.559)		0.35(0.0138)	200(7.874)	2000N	100	80×18×14	12	25/24
YJP12×750	750(29.528)		0.35(0.0138)	215(8.465)	2000N	100	85×18×14	12	26/25
YJP12×800	800(31.496)		0.35(0.0138)	230(9.055)	2000N	100	90×18×14	12	27.5/26.5
YJP12×850	850(33.465)		0.35(0.0138)	215(8.465)	2000N	100	95×16×14	10	24/23
YJP12×900	900(35.433)		0.35(0.0138)	260(10.236)	2000N	100	100×16×14	10	26/25
YJP12×950	950(37.402)		0.35(0.0138)	275(10.827)	2000N	100	105×16×14	10	27/26
YJP12×1000	1000(39.370)		0.35(0.0138)	300(11.811)	2000N	100	110×16×14	10	28/27
YJP12×1050	1050(41.339)		0.35(0.0138)	330(12.992)	2000N	100	115×16×14	10	29/28
YJP12×1100	1100(43.307)		0.35(0.0138)	360(14.173)	2000N	100	120×16×14	10	30/29
YJP12×1200	1200(47.244)		0.35(0.0138)	390(15.354)	2000N	100	130×16×14	10	31/30

Stainless steel spray/plastic coated locking steel ball tie 不锈钢喷塑 / 包塑紧锁钢珠扎带 (201-304-316)



产品特点 /Product features

不锈钢电缆扎带的技术性能完全符合 IEC92 号《船舶电气设备》和 GB1113-85《包塑金属电缆扎带》及《钢质海船入级与建造规范》有关规定。扎带正常工作条件环境温度 -25℃~160℃, 工作温度 ±85℃, 拉力 ≥ 2000N, 本体材质 ICr18Ni9, 涂层 P.V.C. 适用于露天、潮湿、高温等室内外场所捆扎电缆, 具有抗磨、抗腐蚀、抗放射和防火性能。

不锈钢本体紧锁钢珠扎带: 各种长度, 宽度皆可制作,
包塑自锁不锈钢扎带: 宽度可分为 6.4、9.5mm 规格长度皆可制作
特殊规格按客户供样制作;

The technical performance of stainless steel cable ties fully complies with the relevant provisions of IEC92 Electrical Equipment for Ships, GB1113-85 Plastic-coated Metal Cable Ties and Code for Classification and Construction of Steel Seagoing Ships. Under normal working conditions, the ambient temperature of the tie is - 25 °C ~160 °C , the working temperature is ± 85 °C , the tensile force is ≥ 2000N, the body material is ICr18Ni9, and the coating is P.V.C., which is suitable for binding cables in outdoor, wet, high temperature and other indoor and outdoor places, and has the properties of abrasion resistance, corrosion resistance, radiation resistance and fire protection. Stainless steel body locking steel ball tie: various lengths and widths can be made, Plastic-coated self-locking stainless steel tie: the width can be divided into 6.4 and 9.5 mm, and the length can be made Special specifications shall be made according to the samples provided by customers;



不锈钢喷塑紧锁钢珠扎带技术参数 /Technical parameters of stainless steel spray plastic locking steel ball tie

规格 Specifications	长度 Approx.length mm(inch)	宽度 Approx.width mm(inch)	厚度 Tickness mm(inch)	最大捆绑 Max.Bundle Dia. mm(inch)	承受值 Min.Ten. Strength	包装 Packing (PCS)
YJP16×300	300(11.811)	16(0.630)	0.45(0.018)	85.54 (3.368)	1568N	50
YJP16×350	350(13.780)			0.20(0.8)		
YJP16×400	400(15.748)			117.39(4.622)		
YJP16×500	500(19.685)			149.24(5.876)		
YJP16×600	600(23.622)			181.08(7.129)		
YJP16×700	700(27.559)			212.93(8.383)		
YJP16×1000	1000(39.370)			308.47(1.2.44)		
YJP16×1200	1200(47.244)			372.17(1.4.52)		
YJP19×400	400(15.748)	19(0.748)	0.65(0.026)	117.39 (4.622)	1764N	50
YJP19×500	500(19.685)			149.24 (5.876)		
YJP19×600	600(23.622)			181.08 (7.129)		
YJP19×800	800(31.496)			244.78 (9.637)		
YJP19×1000	1000(39.370)			308.47 (1.2.44)		
YJP19×1200	1200(47.244)			372.17 (1.4.52)		
YJP19×1500	1500(59.055)			467.71 (1.8.14)		

包塑自锁不锈钢扎带技术参数 /Technical parameters of plastic-coated self-locking stainless steel tie

规格 Specifications	长度 Approx.length mm(inch)	宽度 Approx.width mm(inch)	厚度 Tickness mm(inch)	最大捆绑 Max.Bundle Dia. mm(inch)	承受值 Min.Ten. Strength
YJQP6.4×200	200(7.87)	6.4(0.252)	1.2(0.047)	50(1.97)	900N
YJQP6.4×250	250(9.84)		1.2(0.047)	65(2.56)	900N
YJQP6.4×300	300(11.8)		1.2(0.047)	80(3.15)	900N
YJQP6.4×350	350(13.78)		1.2(0.047)	95(3.74)	900N
YJQP6.4×400	400(15.75)		1.2(0.047)	110(4.3)	900N
YJQP6.4×450	450(17.72)		1.2(0.047)	125(4.92)	900N
YJQP6.4×500	500(19.69)		1.2(0.047)	140(5.51)	900N
YJQP9.5×600	600(23.62)		9.5(0.374)	1.2(0.047)	170(6.69)
YJQP9.5×650	650(25.59)	1.2(0.047)		185(7.29)	900N
YJQP9.5×700	700(27.6)	1.2(0.047)		200(7.87)	900N
YJQP9.5×1000	1000(39.37)	1.2(0.047)		300(11.81)	900N
YJQP9.5×1100	1100(43.3)	1.2(0.047)		330(12.99)	900N
YJQP9.5×1200	1200(47.24)	1.2(0.047)		360(14.17)	900N

Stainless steel locking full spray steel ball tie 不锈钢紧锁全喷钢珠扎带 (201-304-316)



产品特点 /Product features

不锈钢电缆扎带的技术性能完全符合 IEC92 号《船舶电气设备》和 GB1113-85《包塑金属电缆扎带》及《钢质海船入级与建造规范》有关规定。扎带正常工作条件环境温度 -25℃ ~160℃, 工作温度 ±85℃, 拉力 ≥ 900N, 本体材质 ICr18Ni9, 涂层 P.V.C. 适用于露天、潮湿、高温等室内外场所捆扎电缆, 具有抗磨、抗腐蚀、抗放射和防火性能。

宽度规格多样: 4.6、7.9、10、12、16、19mm 等规格
各种长度皆可制作, 特殊规格按客户供样制作;

The technical performance of stainless steel cable ties fully complies with the relevant provisions of IEC92 Electrical Equipment for Ships, GB1113-85 Plastic-coated Metal Cable Ties and Code for Classification and Construction of Steel Seagoing Ships. Under normal working conditions, the ambient temperature of the tie is - 25 °C ~160 °C , the working temperature is ± 85 °C , the tensile force is ≥ 900N, the body material is ICr18Ni9, and the coating is P.V.C., which is suitable for binding cables in outdoor, wet, high temperature and other indoor and outdoor places, and has the properties of abrasion resistance, corrosion resistance, radiation resistance and fire resistance.

Various width specifications: 4.6, 7.9, 10, 12, 16, 19 mm, etc
Various lengths can be made, and special specifications can be made according to the sample provided by customers;



技术参数 /technical parameter

规格 Specifications	长度 Approx.length mm(inch)	宽度 Approx.width mm(inch)	厚度 Thickness mm(inch)	最大捆绑 Max.Bundle Dia. mm(inch)	承受值 Min.Ten. Strength	包装 Packing (PCS)	外箱尺寸 Outer box size	每箱数量 Bag/ctn	毛净重 G.W/N.W
YJQP4.6×100	100(3.93)	4.6(0.0181)	0.35(0.014)	20(0.787)	900N	100	40×22×18	100	17/16
YJQP4.6×150	150(5.9)		0.35(0.014)	37(1.46)	900N	100	30×22×18	75	16/15
YJQP4.6×200	200(7.87)		0.35(0.014)	50(1.97)	900N	100	30×22×18	50	13/12
YJQP4.6×250	250(9.84)		0.35(0.014)	65(2.56)	900N	100	40×22×18	50	17/16
YJQP4.6×300	300(11.8)		0.35(0.014)	80(3.15)	900N	100	40×22×18	50	18.5/17.5
YJQP4.6×350	350(13.78)		0.35(0.014)	95(3.74)	900N	100	40×22×18	50	21/20
YJQP4.6×400	400(15.75)		0.35(0.014)	110(4.3)	900N	100	50×18×14	40	19/18
YJQP7.9×450	450(17.72)	7.9(0.311)	0.35(0.014)	125(4.92)	900N	100	55×18×14	40	21.5/20.5
YJQP7.9×500	500(19.69)		0.35(0.014)	140(5.51)	900N	100	60×18×14	40	23.5/22.5
YJQP7.9×600	600(23.62)		0.35(0.014)	170(6.69)	900N	100	70×17×12	25	17.5/16.5
YJQP7.9×650	650(25.59)		0.35(0.014)	185(7.29)	900N	100	75×17×12	25	19/18
YJQP7.9×700	700(27.6)		0.35(0.014)	200(7.87)	900N	100	80×17×12	25	20/19
YJQP10×750	750(29.5)	10(0.394)	0.35(0.014)	215(8.46)	900N	100	85×17×12	25	21/20
YJQP10×800	800(31.5)		0.35(0.014)	230(9.05)	900N	100	90×15×11	20	18/17
YJQP10×900	900(35.4)		0.35(0.014)	260(10.23)	900N	100	100×15×11	20	20/19
YJQP12×1000	1000(39.37)	12(0.472)	0.35(0.014)	300(11.81)	900N	100	110×12×10	15	17/16
YJQP12×1100	1100(43.3)		0.35(0.014)	330(12.99)	900N	100	120×12×10	15	19/18
YJQP12×1200	1200(47.24)		0.35(0.014)	360(14.17)	900N	100	130×12×10	15	20/19
YJQP12×1300	1300(51.18)		0.35(0.014)	390(15.354)	900N	100	140×12×10	15	21/20

Stainless steel locking colored steel ball tie

不锈钢紧锁彩色钢珠扎带 (201-304-316)



产品特点 /Product features

不锈钢电缆扎带的技术性能完全符合 IEC92 号《船舶电气设备》和 GB1113-85《包塑金属电缆扎带》及《钢质海船入级与建造规范》有关规定。扎带正常工作条件环境温度 -25℃ ~160℃，工作温度 ±85℃，拉力 ≥ 900N，本体材质 ICr18Ni9，涂层 P.V.C. 适用于露天、潮湿、高温等室内外场所捆扎电缆，具有抗磨、抗腐蚀、抗放射和防火性能。

宽度规格多样：4.6、7.9、10、12、16、19mm 等规格，产品颜色可按需求订做，各种长度皆可制作，特殊规格按客户供样制作；

The technical performance of stainless steel cable ties fully complies with the relevant provisions of IEC92 Electrical Equipment for Ships, GB1113-85 Plastic-coated Metal Cable Ties and Code for Classification and Construction of Steel Seagoing Ships. Under normal working conditions, the ambient temperature of the tie is - 25 °C ~160 °C , the working temperature is ± 85 °C , the tensile force is ≥ 900N, the body material is ICr18Ni9, and the coating is P.V.C., which is suitable for binding cables in outdoor, wet, high temperature and other indoor and outdoor places, and has the properties of abrasion resistance, corrosion resistance, radiation resistance and fire resistance.

Variety of width specifications: 4.6, 7.9, 10, 12, 16, 19 mm and other specifications, product colors can be customized according to demand, various lengths can be made, and special specifications can be made according to customer samples;



技术参数 /technical parameter

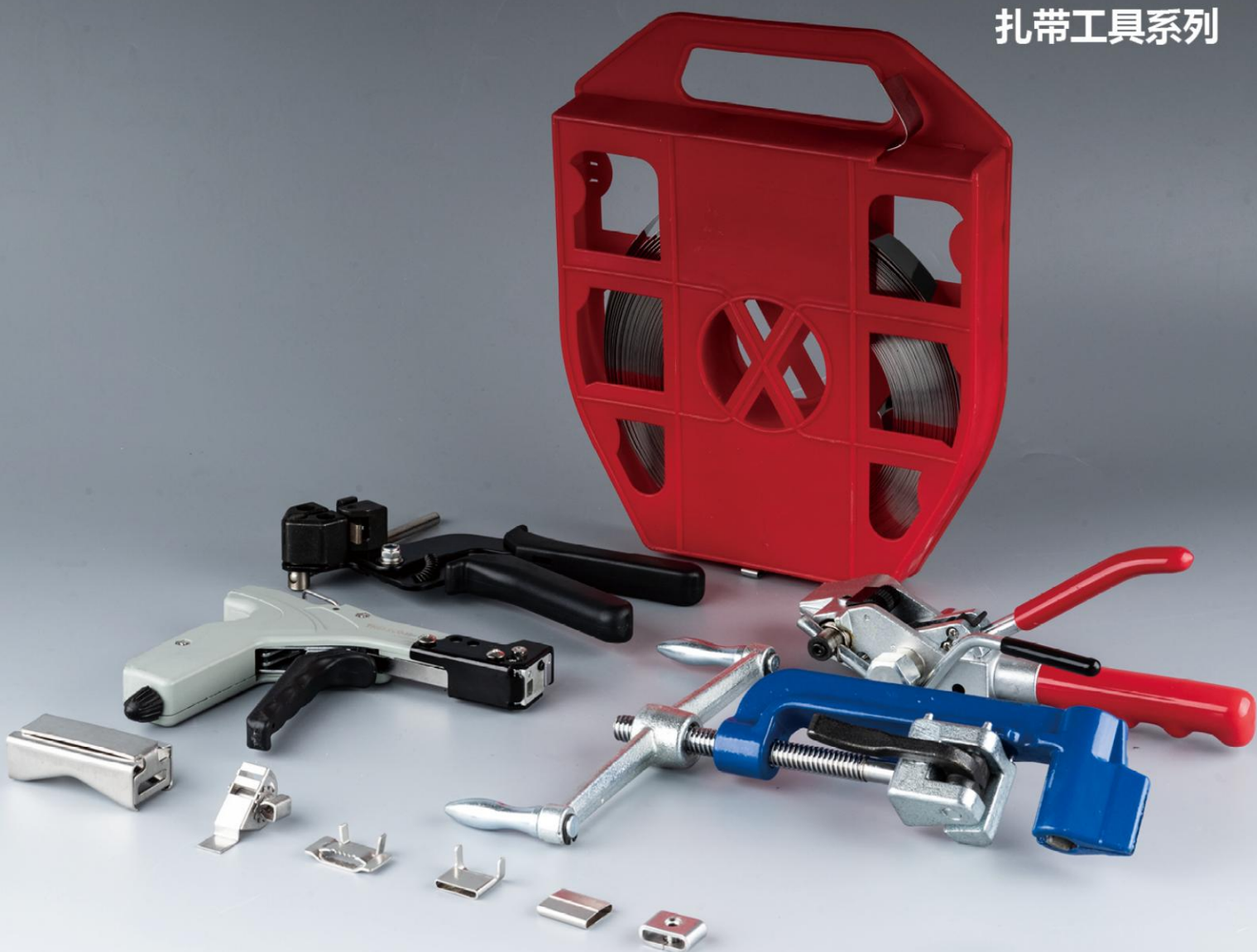
规格 Specifications	长度 Approx.length mm(inch)	宽度 Approx.width mm(inch)	厚度 Thickness mm(inch)	最大捆绑 Max.Bundle Dia. mm(inch)	承受值 Min.Ten. Strength	包装 Packing (PCS)	外箱尺寸 Outer box size	每箱数量 Bag/ctn	毛净重 G.W/N.W
YJCS4.6×100	100(3.93)	4.6(0.181)	0.35(0.14)	20(0.787)	900N	100	40×22×18	100	17/16
YJCS4.6×150	150(5.9)		0.35(0.14)	37(1.46)	900N	100	30×22×18	75	16/15
YJCS4.6×200	200(7.87)		0.35(0.14)	50(1.97)	900N	100	30×22×18	50	13/12
YJCS4.6×250	250(9.84)		0.35(0.14)	65(2.56)	900N	100	40×22×18	50	17/16
YJCS4.6×300	300(11.8)		0.35(0.14)	80(3.15)	900N	100	40×22×18	50	18.5/17.5
YJCS4.6×350	350(13.78)		0.35(0.14)	95(3.74)	900N	100	40×22×18	50	21/20
YJCS4.6×400	400(15.75)		0.35(0.14)	110(4.3)	900N	100	50×18×14	40	19/18
YJCS7.9×450	450(17.72)	7.9(3.11)	0.35(0.14)	125(4.92)	900N	100	55×18×14	40	21.5/20.5
YJCS7.9×500	500(19.69)		0.35(0.14)	140(5.51)	900N	100	60×18×14	40	23.5/22.5
YJCS7.9×600	600(23.62)		0.35(0.14)	170(6.69)	900N	100	70×17×12	25	17.5/16.5
YJCS7.9×650	650(25.59)		0.35(0.14)	185(7.29)	900N	100	75×17×12	25	19/18
YJCS7.9×700	700(27.6)		0.35(0.14)	200(7.87)	900N	100	80×17×12	25	20/19
YJCS10×750	750(29.5)	10(3.94)	0.35(0.14)	215(8.46)	900N	100	85×17×12	25	21/20
YJCS10×800	800(31.5)		0.35(0.14)	230(9.05)	900N	100	90×15×11	20	18/17
YJCS10×900	900(35.4)		0.35(0.14)	260(10.23)	900N	100	100×15×11	20	20/19
YJCS12×1000	1000(39.37)	12(4.72)	0.35(0.14)	300(11.81)	900N	100	110×12×10	15	17/16
YJCS12×1100	1100(43.3)		0.35(0.14)	330(12.99)	900N	100	120×12×10	15	19/18
YJCS12×1200	1200(47.24)		0.35(0.14)	360(14.17)	900N	100	130×12×10	15	20/19
YJCS12×1300	1300(51.18)		0.35(0.14)	390(15.354)	900N	100	140×12×10	15	21/20

Stainless steel packing belt series
Stainless steel buckle series
Binding tool series

不锈钢打包带系列

不锈钢扣系列

扎带工具系列



Stainless Steel Tie(Ladder type) 不锈钢打包带



产品特点 /Product features

- 不锈钢打包带与牙型打包扣、L型打包扣配套使用，安装时可用专业打包工具。使用时可以需要多长拉出多长，使用灵活不浪费。
- 材质：201、304、316 不锈钢。
- 领域：石油化工、保温管道、桥梁、输油管道、线缆、交通标志牌广告牌、电力标志牌、电缆托架等捆扎固定。
- 产品厚度规格多样 (0.4,0.5,0.7,0.76,1.0,1.2) 可按需求定制
- 包装：30m/ 卷，30.5m/ 卷，50m/ 卷，纸盒包装 (塑料盒可选)
- Stainless steel packing belt is used together with tooth-shaped packing buckle and L-shaped packing buckle, and professional packing tools can be used during installation. It can be pulled out as long as it needs to be used, which is flexible and not wasteful.
- Material: 201, 304, 316 stainless steel.
- Field: petrochemical industry, thermal insulation pipeline, bridge, oil pipeline, cable, traffic sign board, power sign board, cable tray, etc.
- Various thickness specifications of products (0.4,0.5,0.7,0.76,1.0,1.2) can be customized as required
- Packaging: 30 m/roll, 30.5 m/roll, 50 m/roll, carton packaging (plastic box optional)



201、304、316 型不锈钢纸板中的常见尺寸 Type 201、304、316 Stainless Steel Common sizes in cardboard

型号 Model NO.	宽度 Width		厚度 Thickness		包装 Packing (PCS) ft/roll
	inch	mm	inch	mm(inch)	
YJA1450	1/4"	6.35	0.02	0.50	100(30.5m)/ 盒 Box
	1/4"	6.35	0.030	0.76	
YJA3850	3/8"	9.53	0.02	0.50	100(30.5m)/ 盒 Box
	3/8"	9.53	0.030	0.76	
YJA1276	1/2"	12.70	0.02	0.50	100(30.5m)/ 盒 Box
	1/2"	12.70	0.03	0.76	
YJA5876	5/8"	15.88	0.02	0.50	100(30.5m)/ 盒 Box
	5/8"	15.88	0.03	0.76	
YJA3476	3/4"	19.05	0.02	0.50	100(30.5m)/ 盒 Box
	3/4"	19.05	0.03	0.76	
YJA3458	1"	25	0.039	1.0	82(25m)/ 盒 Box
YJA3587	5/4"	32	0.047	1.2	82(25m)/ 盒 Box

可用于轧机盘管 / 所有尺寸均采用标准纸板包装。
Available in mill coil lenhths./All size in standard cardboard packing.

PVC Coated Stainless Steel Cable Tie(Discal Tie) BZ-1 Series 包塑不锈钢扎带 (盘带)BZ-1 系列



技术参数 /technical parameter

型号 Model	规格 (厚 × 宽) Specification T mm(inch)×W mm(inch)	涂层 Painted layer	表面 Surface PVC	包装 Packing
YJ-1	1.2(0.47)×12(4.72))	PVC	不冲孔 Non opening hole	20米 / 盘 20M/Roll
YJ-1	1.2(0.47)×16(6.30)	PVC		
YJ-2	1.2(0.47)×19(7.48)	PVC	不冲孔 Non opening hole	



Stainless steel packing buckle 不锈钢打包扣

产品特点 /Product features

- 材料: 不锈钢 201、304、316
- 用途: 与同等宽度的不锈钢打包带一起使用, 石油化工、保温管道、桥梁、输油管道、线缆、交通标志牌、广告牌、电力标志牌、电缆托架等捆扎固定。
- Material: stainless steel 201, 304, 316
- Purpose: It is used with stainless steel packing belt of the same width, and it is used for binding and fixing petrochemical, thermal insulation pipeline, bridge, oil pipeline, cable, traffic sign board, advertising board, power sign board, cable tray, etc.

齿型 /Tooth type

201/304/316 不锈钢 /Stainless Steel 100PCS/BOX 盒

型号 Model	带宽度 For band width		厚度 Thickness mm(inch)
	Inch	mm	
YJBT14	1/4"	6.35	0.8(0.031)
YJBT38	3/8"	9.53	1.0(0.039)
YJBT12	1/2"	12.70	1.2(0.047)
YJBT58	5/8"	15.88	1.2(0.047)
YJBT34	3/4"	19.05	1.5(0.059)
YJBT1	1"	25.40	1.8(0.071)
YJBT54	5/4"	32.50	2.0(0.079)



L 型 /L-type

201/304/316 不锈钢 /Stainless Steel 100PCS/BOX 盒

型号 Model	带宽度 For band width		厚度 Thickness mm(inch)
	Inch	mm	
YJBL14	1/4"	6.35	0.8(0.031)
YJBL38	3/8"	9.53	1.0(0.039)
YJBL12	1/2"	12.70	1.2(0.047)
YJBL58	5/8"	15.88	1.2(0.047)
YJBL34	3/4"	19.05	1.5(0.059)
YJBL1	1"	25.40	1.8(0.071)
YJBL54	5/4"	32.50	2.0(0.079)



Stainless steel packing buckle 不锈钢打包扣



螺丝扣 / Turnbuckle

201/304/316 不锈钢 / Stainless Steel 100PCS/BOX 盒

型号 Model	带宽度 For band width		厚度 Thickness mm(inch)
	Inch	mm	
YJBS14	1/4	6.35	1.5(0.059)
YJBS38	3/8	9.53	1.8(0.071)
YJBS12	1/2	12.70	2.0(0.079)
YJBS58	5/8	15.88	2.5(0.098)
YJBS34	3/4	19.05	2.5(0.098)



不锈钢平扣 / Stainless steel flat buckle

201/304/316 不锈钢 / Stainless Steel 100PCS/BOX 盒

型号 Model	带宽度 For band width		厚度 Thickness mm(inch)
	Inch	mm	
YJBX14	1/4	6.35	0.8(0.031)
YJBX38	3/8	9.53	
YJBX12	1/2	12.70	
YJBX58	5/8	15.88	
YJBX34	3/4	19.05	



不锈钢拧动扣 / Stainless steel screw buckle

包装数量 Pkg.Qty-100 为 YQBS14&YQBS38 25 or YQBS12/58/34

型号 Model	带宽度 For band width		厚度 Thickness mm(inch)
	Inch	mm	
YJBQ38	3/8	9.53	1.0(0.039)
YJBQ12	1/2	12.70	
YJBQ34	3/4	19.05	



不锈钢万能夹 / Stainless steel universal clamp

包装数量 Pkg.Qty-100 为 YQBS14&YQBS38 25 or YQBS12/58/34

型号 Model	长度 Approx.length mm(inch)	带宽度 For band width		厚度 Thickness mm(inch)
		Inch	mm	
YJ7017	70(2.756)	1.26	32	2.0(0.079)
YJ7022				
YJ7027				
YJ7029				
YJ3017	30(1.181)	1.26	32	
YJ3022				
YJ3029				



Cable tie Tool 扎带工具

LQA 打包工具 LQA packaging tool

适用于各种不锈钢打包带、不锈钢扎带，适用扎带宽度 8mm-20mm，厚度 0.8mm 以下。具有收紧切断功能。

It is applicable to all kinds of stainless steel packing belts and stainless steel binding belts, and the applicable binding belt width is 8mm - 20mm, The thickness is less than 0.8mm. It has the function of tightening and cutting.



HS-702 不锈钢扎带工具 HS-702 stainless steel tie tool

适用于自锁式不锈钢扎带，适用扎带宽度 4.6mm-8mm，厚度 0.4 以下具有收紧自动切断功能。

It is applicable to self-locking stainless steel ties, with a width of 4.6mm-8mm and a thickness of less than 0.4. It has the function of tightening and automatic cutting.



YJ-1608 重型手摇式扎带工具 YJ-1608 heavy hand strap tool Stainless steel screw buckle

适用扎带宽度 8mm-25mm，厚度 1mm 以下。具有收紧切断功能

Applicable binding band is 8mm - 25mm wide and less than 1mm thick. With tightening and cutting function



LQG 不锈钢扎带工具 LQG stainless steel tie tool

适用于自锁式不锈钢扎带，适用扎带宽度 4.6mm-8mm，厚度 0.4 以下具有收紧切断功能，经济实惠。

It is applicable to self-locking stainless steel ties, with a width of 4.6mm-8mm and a thickness of less than 0.4. It has the function of tightening and cutting, which is economical.



Stepped stainless steel tie
Single/double head solid strong clamp
L-type stainless steel tie
Retractable stainless steel tie

阶梯式不锈钢扎带

单 / 双头实心强力卡箍

L 型不锈钢扎带

可退式不锈钢扎带



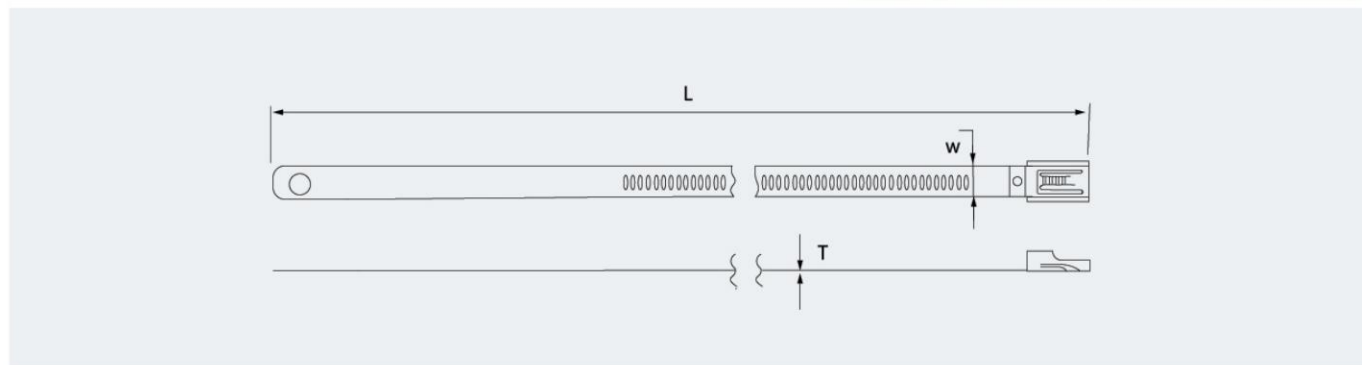
Ladder body/ladder spray plastic binding 阶梯式本体 / 阶梯式喷塑扎带



技术参数 /technical parameter

材料：采用不锈钢 304、316 材质；环氧树脂喷塑
 特性：耐腐蚀单勾倒齿锁紧扎带，抗张力可达到 60kg 室内外适用：
 适用：通讯，电力，造船及输油管道工程上应用
 温度：工作范围 -40°C ~85°C .
 各种长度皆可制作，特殊规格按客户供样制作；

Material: stainless steel 304 and 316; Epoxy resin spraying
 Features: corrosion-resistant single-hook inverted tooth locking strap,
 with tensile resistance up to 60kg, suitable for indoor and outdoor use:
 Applicable to: communication, electric power, shipbuilding and oil
 pipeline engineering
 Temperature: working range - 40 °C ~85 °C
 Various lengths can be made, and special specifications can be made
 according to the sample provided by customers;



技术参数 /technical parameter

型号 LtemNo.	厚度 Thickness		最大绑扎范围 Max Bundle Dia		长度 "L" length approx		宽度 "W" Width approx		承受力 Min Loop Tensile		包装 数量 Pkg.Qty
	inch	mm	inch	mm	inch	mm	inch	mm	lbs	Kg	
YJ-150S	0.01	0.25	0.86	22	5.9	150	0.28	7	250	113.4	100
YJ-195S			1.7	45	8	195					
YJ-255S			2.5	64	1.0	255					
YJ-335S			3.5	89	1.3	335					
YJ-490S			5.4	139	1.9	490					
YJ-635S			7.2	185	2.5	635					
YJ-150M	0.01	0.25	0.86	22	5.9	150	0.472	12	250	113.4	100
YJ-195M			1.7	45	8	195					
YJ-255M			2.5	64	1.0	255					
YJ-335M			3.5	89	1.3	335					
YJ-490M			5.4	139	1.9	490					
YJ-635M			7.2	185	2.5	635					

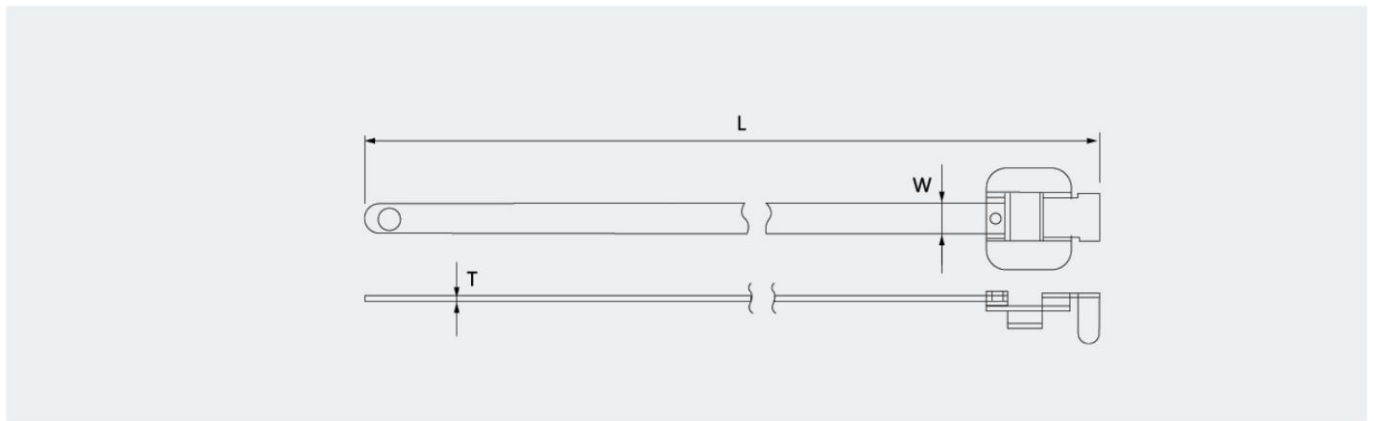
Immersion plastic removable stainless steel tie 浸塑可退式不锈钢扎带



产品特点 /Product features

材质: 304、316 级非磁性不锈钢
 表面处理: 聚酯 / 尼龙 11
 温度: -80°C ~ +250°C
 颜色: 黑色、本体
 阻燃等级: 绝对防火
 其他特性: 防紫外线、防腐、无毒
 各种长度皆可制作, 款式可按图片选择, 也可选不浸塑处理, 可按本体制作。

Material: 304, 316 non-magnetic stainless steel
 Surface treatment: polyester/nylon 11
 Temperature: - 80 °C ~ +250 °C
 Color: black, body
 Flame retardant grade: absolute fire resistance
 Other characteristics: UV protection, anti-corrosion, non-toxic
 All kinds of lengths can be made, and the style can be selected according to the picture, or it can be made according to the body without plastic treatment.



技术参数 /technical parameter

规格 Model NO.	宽度 Width		长度 Length		厚度 Thickness		捆扎范围 Max Bundle Dia	
	inch	mm	inch	mm	inch	mm	inch	mm
YJR-152A	1/4	6.35	6	152	0.047	1.2	1.5	38
YJR-229A	1/4	6.35	9	229	0.047		2.5	63
YJR-305A	1/4	6.35	12	305	0.047		3.4	86
YJR-457A	1/4	6.35	18	457	0.047		5.4	137
YJR-610A	1/4	6.35	24	610	0.047		7.3	185
YJR-152B	3/8	9.53	6	152	0.047		1.5	38
YJR-229B	3/8	9.53	9	229	0.047		2.5	63
YJR-305B	3/8	9.53	12	305	0.047		3.4	86
YJR-457B	3/8	9.53	18	457	0.047		5.4	137
YJR-610B	3/8	9.53	24	610	0.047		7.3	185

Grounding stainless steel tie 接地式不锈钢扎带

产品特点 /Product features

材质：不锈钢 304+ 铁镀锌组合

头部：铁镀锌

带身：不锈钢 304

螺丝：铁镀锌或不锈钢

表面处理：本色

温度：-80℃ ~+250℃

阻燃等级：绝对防火

产品宽度：14.2mm、20mm 长度皆可制作；

其他特性：防紫外线、防腐、无毒、防雷

Material: stainless steel 304+iron galvanized combination

Head: iron galvanized

Belt body: stainless steel 304

Screws: iron galvanized or stainless steel

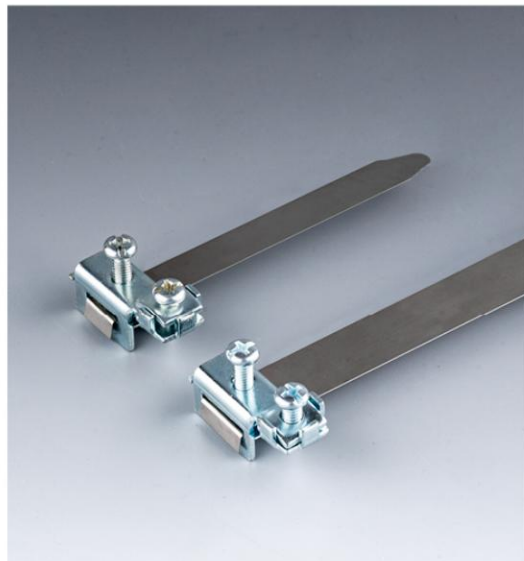
Surface treatment: natural color

Temperature: - 80 °C ~+250 °C

Flame retardant grade: absolute fire resistance

Product width: 14.2 mm and 20 mm long;

Other characteristics: UV protection, anti-corrosion, non-toxic, lightning protection



技术参数 /technical parameter

规格 Specifications	长度 Approx. length mm(inch)	宽度 Approx. width mm(inch)	厚度 Thickness mm(inch)	最大捆绑 Max.Bundle Dia. mm(inch)	承受值 Min.Ten. Strength	包装 Packing (PCS)	外箱尺寸 Outer box size	每箱数量 Bag/ctn	毛净重 G.W/N.W
YJ14.2×120	120(4.724)	14.2(0.559)	0.3(0.012)	40(1.575)	90	10	40×38×38	500	22.5/21.5
YJ14.2×135	135(5.315)	14.2(0.559)	0.3(0.012)	40(1.575)	90	10	40×38×38	500	22.5/21.5
YJ20×190	190(7.480)	20(0.787)	0.3(0.012)	60(2.362)	90	10	45×27×38	300	15/14
YJ20×207	207(8.150)	20(0.787)	0.3(0.012)	60(2.362)	90	10	45×27×38	300	15/14
YJ20×410	410(16.142)	20(0.787)	0.3(0.012)	128(5.039)	90	10	49×45×38	300	18/17
YJ20×426	426(16.772)	20(0.787)	0.3(0.012)	128(5.039)	90	10	49×45×38	300	18/17
YJ20×550	550(21.654)	20(0.787)	0.3(0.012)	185(7.283)	90	10	66×45×38	300	20.5/19.5
YJ20×601	601(23.661)	20(0.787)	0.3(0.012)	185(7.283)	90	10	66×45×38	300	20.5/19.5

L-type body stainless steel tie

L 型本体不锈钢扎带



产品特点 /Product features

材料：采用不锈钢 304、201、316 材质，各种长度厚度皆可制作，特殊规格按客户供样制作；

特性：耐酸、耐腐蚀、抗张强度高，L 型突起式结构使其具有简单快捷等优势；
温度：工作范围 -60℃ ~550℃。

宽度可分为：6.4mm,9.5mm,12.7mm,16mm,19mm

厚度可分为：0.25mm,0.5mm,0.7mm,0.76mm,1.0mm,1.2mm

Material: stainless steel 304, 201, 316 materials can be made in various lengths and thicknesses, and special specifications can be made according to the samples provided by customers;

Features: acid resistance, corrosion resistance, high tensile strength, L-shaped protruding structure makes it simple and fast;
Temperature: working range - 60 °C ~550 °C .

The width can be divided into: 6.4mm, 9.5mm, 12.7mm, 16mm, 19mm

Thickness can be divided into: 0.25mm, 0.5mm, 0.7mm, 0.76mm, 1.0mm, 1.2mm



技术参数 /technical parameter

规格 Specifications	长度 Approx.length mm(inch)	宽度 Approx.width mm(inch)	厚度 Thickness mm(inch)	最大捆绑 Max.Bundle Dia. mm(inch)	承受值 Min.Ten.Strength kgs(lbs)
YJL6.4×300	300(11.811)	6.4(0.252)	0.5(0.020)	76(2.99)	800(1760)
YJL6.4×480	480(18.898)			125(5.04)	
YJL6.4×520	520(20.472)			150(5.91)	
YJL9.5×360	360(14.173)	9.5(0.374)	0.5(0.020)	89(3.5)	
YJL9.5×480	480(18.898)			125(5.04)	
YJL9.5×520	520(20.472)			150(5.91)	
YJL12×300	300(11.8)	12(0.472)	0.5(0.020)	76(2.99)	
YJL12×350	350(13.78)			89(3.5)	
YJL12×400	400(15.75)			102(4.02)	
YJL12×450	450(17.72)			115(4.53)	
YJL12×500	500(19.69)			128(5.04)	
YJL12×550	550(21.65)			141(5.55)	
YJL16×350	350(13.78)	16(0.63)	0.5(0.020)	89(3.5)	800(1760)
YJL16×400	400(15.75)			102(4.02)	
YJL16×450	450(17.72)			115(4.53)	
YJL16×500	500(19.69)			128(5.04)	
YJL16×600	600(23.62)			154(6.06)	
YJL16×700	700(27.56)			180(7.09)	
YJL16×750	750(29.53)			191(7.52)	
YJL16×800	800(31.5)			193(7.59)	
YJL16×1000	1000(39.37)	206(8.11)			
YJL19×300	300(11.8)	19(0.748)	0.5(0.020)	76(2.99)	800(1760)
YJL19×400	400(15.75)			102(4.02)	
YJL19×500	500(19.69)			141(5.55)	
YJL19×600	600(23.62)			154(6.06)	
YJL19×700	700(27.56)			180(7.09)	
YJL19×800	800(31.5)			193(7.59)	
YJL19×900	900(36)			200(7.874)	
YJL19×1000	1000(39.37)			206(8.11)	

L-type plastic spray/plastic coated stainless steel tie

L 型喷塑 / 包塑不锈钢扎带



产品特点 /Product features

材料：采用不锈钢 304、201、316 材质，外喷环氧树脂热固性粉末涂料各种长度厚度皆可制作，可包塑 PVC 接受合理的 OEM;

特性：耐酸、耐腐蚀、不易燃烧，抗张强度高，L 型结构使其具有简单、快捷、不可解开等安装上的优势：

温度：工作范围 -40℃ ~85℃。

宽度可分为：6.4mm,9.5mm,12.7mm,16mm,19mm

厚度可分为：0.25mm,0.5mm,0.7mm,0.76mm,1.0mm,1.2mm

Material: stainless steel 304, 201, 316 material, epoxy resin thermosetting powder coating can be sprayed externally in various lengths and thicknesses, and PVC can be coated to accept reasonable OEM;

Features: acid-resistant, corrosion-resistant, incombustible, high tensile strength, L-shaped structure makes it simple, fast, non-detachable and other installation advantages:

Temperature: working range - 40 °C ~85 °C .

The width can be divided into: 6.4mm, 9.5mm, 12.7mm, 16mm, 19mm

Thickness can be divided into: 0.25mm, 0.5mm, 0.7mm, 0.76mm, 1.0mm, 1.2mm



技术参数 /technical parameter

规格 Specifications	长度 Approx.length mm(inch)	宽度 Approx.width mm(inch)	厚度 Thickness mm(inch)	最大捆绑 Max.Bundle Dia. mm(inch)	承受值 Min.Ten.Strength kgs(lbs)
YJLP6.4×300	300(11.811)	6.4(0.252)	0.6(0.024)	76(2.99)	800(1760)
YJLP6.4×480	480(18.898)			125(5.04)	
YJLP6.4×520	520(20.472)			150(5.91)	
YJLP9.5×360	360(14.173)	9.5(0.374)	0.6(0.024)	89(3.5)	
YJLP9.5×480	480(18.898)			125(5.04)	
YJLP9.5×520	520(20.472)			150(5.91)	
YJLP12×300	300(11.8)	12(0.472)	0.6(0.024)	76(2.99)	
YJLP12×350	350(13.78)			89(3.5)	
YJLP12×400	400(15.75)			102(4.02)	
YJLP12×450	450(17.72)			115(4.53)	
YJLP12×500	500(19.69)			128(5.04)	
YJLP12×550	550(21.65)			141(5.55)	
YJLP16×350	350(13.78)	16(0.63)	0.6(0.024)	89(3.5)	800(1760)
YJLP16×400	400(15.75)			102(4.02)	
YJLP16×450	450(17.72)			115(4.53)	
YJLP16×500	500(19.69)			128(5.04)	
YJLP16×600	600(23.62)			154(6.06)	
YJLP16×700	700(27.56)			180(7.09)	
YJLP16×750	750(29.53)			191(7.52)	
YJLP16×800	800(31.5)			193(7.59)	
YJLP16×1000	1000(39.37)	206(8.11)			
YJLP19×300	300(11.8)	19(0.748)	0.6(0.024)	76(2.99)	800(1760)
YJLP19×400	400(15.75)			102(4.02)	
YJLP19×500	500(19.69)			141(5.55)	
YJLP19×600	600(23.62)			154(6.06)	
YJLP19×700	700(27.56)			180(7.09)	
YJLP19×800	800(31.5)			193(7.59)	
YJLP19×900	900(36)			200(7.874)	
YJLP19×1000	1000(39.37)			206(8.11)	

标准及特点 / Standards and characteristics

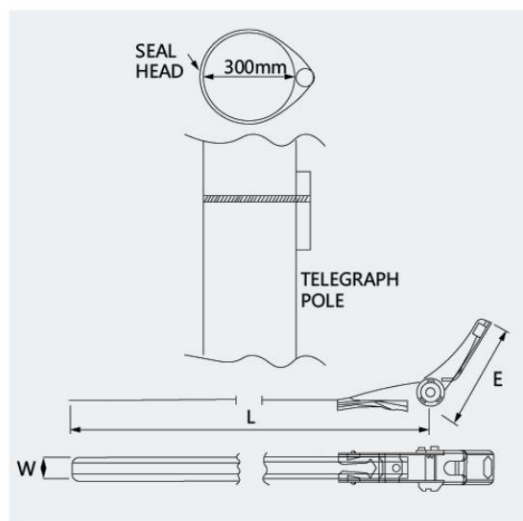
万能钢带箍又名：卡箍、满意夹、主要用于电线杆上的捆扎电缆、接地线、支架、吊牌等、同样适用于电气化铁路、电信局电杆、交通红绿灯及标志杆等部门。

详细说明：

1. 产品分为：直条式、卷边式
2. 万能钢带箍由金具、棘轮、箍带等零件组合而成，金具选用1mm优质不锈钢冲制成型。箍带选用厚度0.2mm，宽度14mm不锈钢经折边后成10mm可直接选择产品厚度不需要折边，箍带具有非常的强力和拉力，及光滑的边缘。
3. 万能钢带箍具有超强的紧固力，使用时十分方便，只要来回拨动金具就可以达到抽紧的目的，最后用力一按就会自动锁紧。
4. 箍带的长短可由用户根据需要而定制，目前有400mm、600mm、800mm、1000mm、1200mm、1500mm、2000mm等规格。

Universal steel band clamp, also known as clamp, satisfactory clamp, is mainly used for binding cable, grounding wire, bracket, hanging tag, etc. on the electric pole, and is also applicable to electrified railway, telecommunication office pole, traffic traffic lights and marker posts and other departments. detailed description:

1. Products are divided into: straight strip type and crimp type
2. The universal steel band clamp is composed of fittings, ratchet, band and other parts. The fittings are made of 1mm high-quality stainless steel. The band is made of stainless steel with a thickness of 0.2mm and a width of 14mm, which can be folded into 10mm. The thickness of the product can be directly selected without folding. The band has a very strong and tensile force and a smooth edge.
3. The universal steel band clamp has super strong fastening force and is very convenient to use. As long as the hardware is moved back and forth, the purpose of tightening can be achieved. The last press will automatically lock.
4. The length of the band can be customized by users according to their needs. At present, there are 400mm, 600mm, 800mm, 1000mm, 1200mm, 1500mm, 2000mm and other specifications.



技术参数 / technical parameter

型号 ITEM.NO.	最大绑扎范围 Max Bundle Dia		长度 "L" length approx		宽度 "W" Width approx		厚度 Tickness		E head approx		包装数量 Pkg.Qty
	inch	mm	inch	mm	inch	mm	inch	mm	inch	mm	
YJ-400	4.921	125	15.748	400	0.394	10	0.008 /0.016	0.2/0.4	1.890	48	25
YJ-600	7.480	190	23.622	600							
YJ-800	9.803	249	31.496	800							
YJ-1000	12.205	310	39.370	1000							
YJ-1200	14.764	375	47.244	1200							
YJ-1300	16.142	410	51.181	1300							
YJ-1400	17.244	438	55.118	1400							
YJ-1500	18.504	470	59.055	1500	0.787	20	0.016	0.4	1.890	48	25
YJ-600	7.480	190	23.622	600							
YJ-1000	12.205	310	39.370	1000							
YJ-1200	14.764	375	47.244	1200							
YJ-1500	18.504	470	59.055	1500							

Marker Plate 不锈钢标志牌

产品特点 /Product features

材质：不锈钢电缆标志牌采用优质 304 不锈钢 (316 供选)，产品光亮、无毛刺。一般绑在电缆上用于标记电缆。各种长度厚度皆可制作，特殊规格按客户供样制作；

方法：使用时用两根宽度 4.6mm、7.9mm 的扎带固定。

长宽厚可根据客户需求制作；

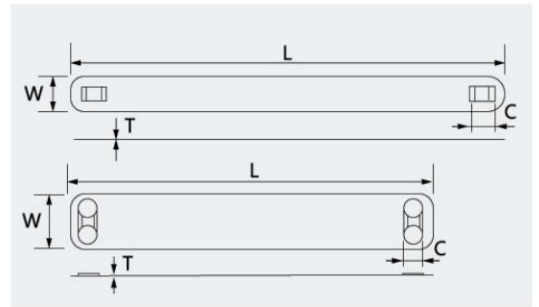
Material: stainless steel cable signboard is made of high-quality 304 stainless steel (316 optional), and the product is bright and burr-free. It is usually tied to the cable to mark the cable. Various lengths and thicknesses can be made, and special specifications can be made according to the samples provided by customers;

Method: Two bandages with a width of 4.6 mm and 7.9 mm were used for fixation.

The length, width and thickness can be made according to customer needs;

技术参数 /technical parameter

型号 Ltem No.	L(mm)		W(mm)		C(mm)		厚度 Thickness	
	inch	mm	inch	mm	inch	mm	inch	mm
YJPS-9.5	3.5	88.9	0.374	9.5	0.205	5.2	0.016	0.4
YJPS-12	3.5	88.9	0.472	12	0.315	8		
YJPM-19	3.5	88.9	0.748	19.0	0.315	8		
YJNS-9.5	2.756	70	0.374	9.5	0.315	8		
YJPM-15	4.331	110	0.591	15	0.205	5.2		



Aluminum clad tape 铝包带

产品特点 /Product features

铝包带与牙型打包扣、L型打包扣配套使用，安装时可用专业打包工具。使用时可以根据需要多长拉出多长，使用灵活不浪费。

The aluminum belt is used together with the tooth-shaped packing buckle and L-shaped packing buckle, and can be installed with professional packing tools. It can be pulled out as long as it needs to be used, which is flexible and not wasteful.

技术参数 /technical parameter

型号 Ltem No.	包装长度 Packing Length		宽度 "W" Width approx		厚度 Thickness	
	m	inch	mm	inch	mm	inch
YJ10×1.0	10	393.7	10	0.394	1	0.0394
YJ10×1.0	5	196.85	10	0.394	1	0.0394



Universal stainless steel spray belt 万能型不锈钢喷带



技术参数 /technical parameter

- 产品特性：借助于间隔的匀的孔，用螺丝或螺杆螺帽来扣进可以用普通的手动紧带机，安装容易光带形式适用于较高的操作温度 表面喷要无毒无卤物质
 - 应用于：电气安装，管件安装，电货安装等
 - 技术信息：材料：不锈钢 201、304、316 或镀锌铁
- 201 等级不锈钢
304 等级不锈钢适用于普通用途
316 等级不锈钢适用于高腐蚀环境
操作温度：-80°C to 180°C
产品描述：金属色带身
防火等级：阻燃
材料特性：抗紫外线

- Product features: with the help of evenly spaced holes, screw or screw nut can be used to buckle in. Ordinary manual belt tightener can be used, and the form of light band is easy to install. It is suitable for high operating temperature. The surface should be sprayed with non-toxic halogen-free substances
 - Application: electrical installation, pipe fitting installation, electrical goods installation, etc
 - Technical information: material: stainless steel 201, 304, 316 or galvanized iron
- Grade 201 stainless steel
304 grade stainless steel for general purpose
316 grade stainless steel is suitable for highly corrosive environment
Operating temperature: - 80 °C to 180 °C
Product description: metal ribbon body
Fire rating: flame retardant
Material characteristics: UV resistance



APPT 技术参数 /APPT technical parameter

型号 ITEM.NO.	包装长度 Packing Length		宽度 "W" Width approx		厚度 Thickness		孔径 Hole Size	
	M	Feet	inch	mm	inch	mm	inch	mm
APPT-5	25	82.5	0.472	12	0.030	0.76	0.197	5
APPT-7			0.669	17			0.276	7
APPT-8			1.024	26			0.315	8

APPU 技术参数 /APPU technical parameter

型号 ITEM.NO.	包装长度 Packing Length		宽度 "W" Width approx		厚度 Thickness		孔径 Hole Size	
	M	Feet	inch	mm	inch	mm	inch	mm
APPU-5	25	82.5	0.472	12	0.030	0.76	0.197	5
APPU-7			0.669	17			0.276	7
APPU-8			1.024	26			0.315	8

Stainless steel binding belt 不锈钢捆绑带

材料：采用不锈钢 201、304、316 材质，各种长度厚度皆可制作，特殊规格按客户供样制作

Material: stainless steel 201, 304, 316, all length and thickness can be made, Special specifications are made according to the sample provided by the customer

U 型不锈钢扎带 /U-shaped stainless steel tie

技术参数 /technical parameter

型号 Item No.	包装长度 Packing Length		宽度 "W" Width approx		厚度 Thickness	
	mm	inch	mm	inch	mm	inch
UX12×500	500	19.685	12	0.472	0.5	0.02
UX12×800	800	31.496	12	0.472	0.5	0.02
UX12×1000	1000	39.370	12	0.472	0.5	0.02
UX12×1200	1200	47.244	12	0.472	0.5	0.02
UX12×1500	1500	59.055	12	0.472	0.5	0.02



牙型不锈钢扎带 /Toothed stainless steel tie

技术参数 /technical parameter

型号 Item No.	包装长度 Packing Length		宽度 "W" Width approx		厚度 Thickness	
	mm	inch	mm	inch	mm	inch
YX9.5×500	500	19.685	9.5	0.374	0.5	0.02
YX9.5×800	800	31.496	9.5	0.374	0.5	0.02
YX12×1000	1000	39.370	12	0.472	0.5	0.02
YX12×1200	1200	47.244	12	0.472	0.5	0.02
YX16×1300	1300	51.181	16	0.630	0.5	0.02
YX16×1500	1500	59.055	16	0.630	0.5	0.02
YX19×1200	1200	47.244	19	0.748	0.5	0.02
YX19×1500	1500	59.055	19	0.748	0.5	0.02



活型不锈钢扎带 /Movable stainless steel tie

技术参数 /technical parameter

型号 Item No.	包装长度 Packing Length		宽度 "W" Width approx		厚度 Thickness	
	mm	inch	mm	inch	mm	inch
HX9.5×500	500	19.685	12	12	0.5	0.02
HX9.5×800	800	31.496	12	12	0.5	0.02
HX9.5×1000	1000	39.370	12	12	0.5	0.02
HX9.5×1200	1200	47.244	12	12	0.5	0.02
HX9.5×1500	1500	59.055	12	12	0.5	0.02



American Jets Hoop

美式喉箍



产品特点 /Product features

美式不锈钢喉箍：分为小美式喉箍和大美式喉箍，带宽分别为 8、10、12.7mm。采用透孔工艺，适用范围广，抗扭和耐压，扭转力矩均衡，锁紧牢固，严密，调节范围大，适用于软硬管连接的紧固件，装配后外观美观。

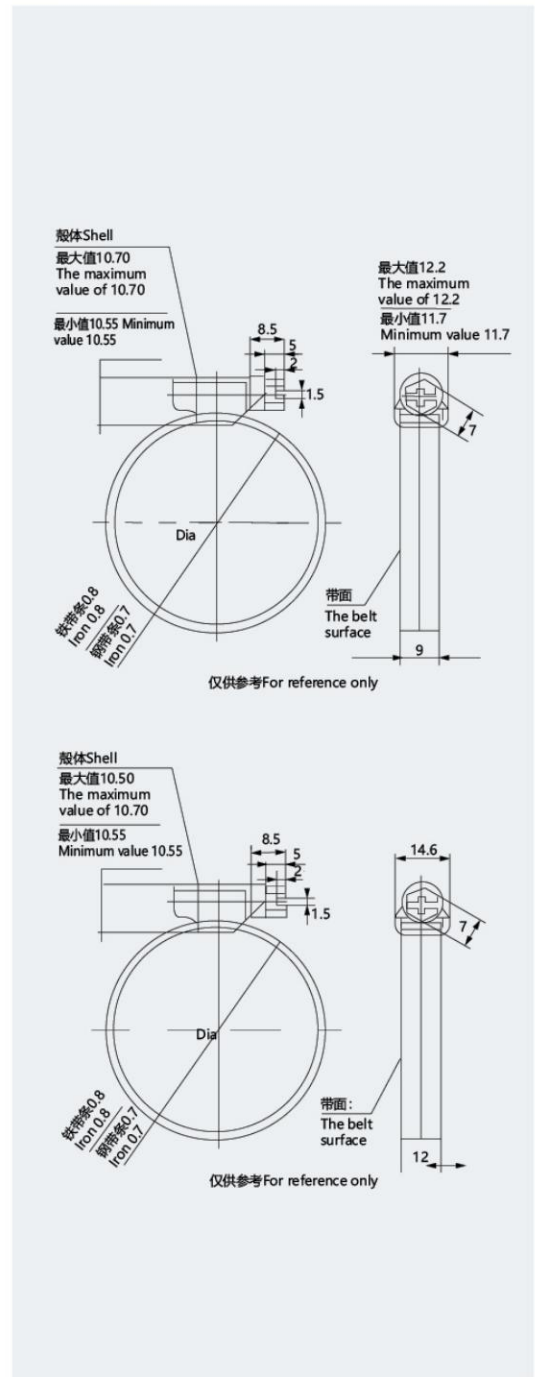
特点：蜗杆摩擦力小，适用于高中档车型或防腐材料部位连接。

American type hose clamp Bandwidth:8mm 10mm 12.7mm Using holes process,wide application scope;Resistance to twist and compression;Torsional moment balance,Tighten solid,tight; Bigger adjusting range,fastener of gentle and harsh pipes,with artistic appearance after assembling.Feature:Worm drive design,small friction.

Applicable to medium-high grade car or corrosion materials parts con nected.

技术参数 /technical parameter

型号 Model	适用范围 Clamp Diameter		碳钢带厚度 Galvanized mm(inch)	不锈钢带厚度 AISI 430		数量 Purchase	带宽 MAX mm(inch)
				PCS	MAX		
4	7/32"-5/8"	6-16	0.8 (0.031)	0.6	0.6	2000	8(0.315)
6	7/16"-3/4"	11-20		0.6	0.6	2000	
8	1/2"-7/8"	13-23		0.6	0.6	2000	
10	1/2"8"	13-25		0.6	0.6	2000	
4	3/8"25/32"	10-20		0.6	0.6	1000	
6	3/8"7/8"	10-22		0.6	0.6	1000	
8	7/16"-1"	11-25		0.6	0.6	1000	
10	9/16"-11/16"	14-27		0.6	0.6	1000	
12	11/16"-11/4"	18-32		0.6	0.6	1000	
16	13/16"-11/2"	21-38		0.6	0.6	1000	
20	13/16"-13/4"	21-44		0.6	0.6	1000	
24	11/16"-2"	27-51		0.6	0.6	1000	
28	15/16"-21/4"	33-57		0.6	0.6	1000	
32	19/16"21/2"	40-63		0.6	0.6	1000	
36	113/16"-23/4"	46-70		0.6	0.6	1000	
40	21/16"-3"	52-76		0.6	0.6	500	
44	25/16"-31/4"	59-82		0.6	0.6	500	
48	29/16"-31/2"	65-89		0.6	0.6	500	
52	213/16"-33/4"	72-95		0.6	0.6	500	
56	31/16"-4"	78-101		0.6	0.6	500	
60	35/16"-41/4"	84-108	0.6	0.6	500		
64	39/16"-41/2"	91-114	0.6	0.6	500		
72	41/8"-5"	105-127	0.6	0.6	250		
80	45/8"-51/2"	118-140	0.6	0.6	250		
88	51/8"-6"	130-152	0.6	0.6	250		
96	55/8"-61/2"	143-165	0.6	0.6	250		
104	61/8"-7"	155-178	0.6	0.6	250		



German Jets Hoop

德式喉箍

产品特点 /Product features

德式中间点焊不锈钢喉箍及德式中间式碳钢镀锌喉箍其特点是调节范围大, 紧固时受力均匀, 抗扭和耐压强度高, 用于管道卡紧空间狭窄部位连接, 价格适中, 耐腐蚀, 并能保护连接处橡塑管面不受损伤, 拧动顺畅, 可重复使用, 是各类软硬连接的理想紧固件。

German typ hose clamp
Bandwidth:9mm 12mm
Material:Stainless steel and Galvanized carbon steel

Feature:

- Bigger adjusting range
- Evenly stress when fastening
- Wrest resistant and high crushing strength
- Moderate price
- Corrosion resistant and protects the rubber surface is not damaged
- Can smoothly,cand be reused
- Ideal fastener of all kinds of gentle and harsh pipes

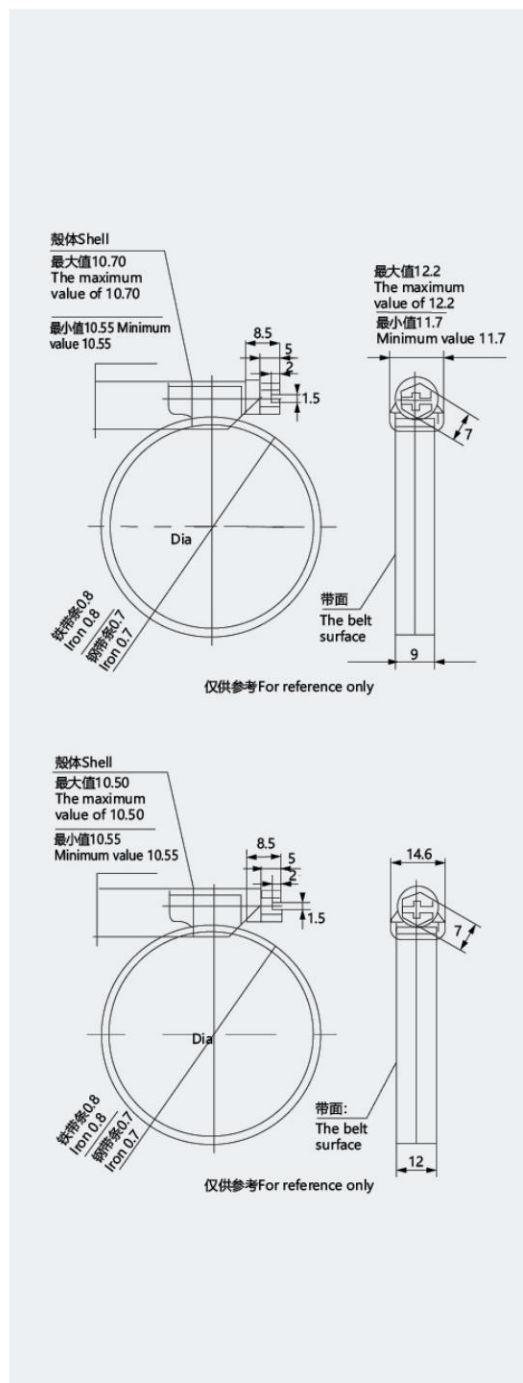
9mm/3.54inch	自由扭矩 Nm Free torsion Nm	负载扭矩 Nm Load torque Nm
W1	≤ 1Nm	≥ 3.5Nm
W2	≤ 1Nm	≥ 5Nm
W4	≤ 1Nm	≥ 5Nm
W5	≤ 1Nm	≥ 5Nm

12mm/4.72inch	自由扭矩 Nm Free torsion Nm	负载扭矩 Nm Load torque Nm
W1	≤ 1Nm	≥ 5Nm
W2	≤ 1Nm	≥ 6.5Nm
W4	≤ 1Nm	≥ 6.5Nm
W5	≤ 1Nm	≥ 6.5Nm

德式喉箍 9mm、12mm 带宽 螺丝对边 7mm

Hose clamps German 9mm ,12mm banwidth screw on side 7mm

产品材质 Product Material	规格 Specifications	只/袋 Pcs/bag	只/箱 Pcs/carton	包装尺寸 carton size
W1: 钢带、箍头、螺丝全部为铁镀锌。 (螺丝为十字) Steel hoop joint,screw,all for the galvanized iron. (screw as the cross)	8-12	100	1000	32×27×14
	10-16	100	1000	32×27×14
	12-20	100	1000	38×27×14
	16-27	100	1000	38×27×17
W2: 钢带、箍头为 300 不锈钢或 430 不锈钢、螺丝全部为铁镀锌。(螺丝为十字) Steel hoop,head of 300 stainless steel or 430 stainless steel crew,all for the galvanized iron. (screw as the cross)	20-32	100	1000	38×27×21
	25-40	100	1000	38×27×29
	32-50	50	500	38×27×21
	40-60	50	500	38×27×29
W4: 钢带、箍头全部为 300 不锈钢。(螺丝为十字) Strip,hoop head,all for 300 stainless steel(screw as the cross)	60-80	50	500	41×32×32
	70-90	50	500	40×37×30
W5: 钢带、箍头、螺丝全部为 316 不锈钢。(螺丝为十字) Steel hoop joint,screw,all for 316 stainless steel (screw as the cross)	80-100	10	250	38×27×24
	90-110	10	250	38×27×29
	100-120	10	250	38×27×29
	110-130	10	250	38×27×34
	120-140	10	250	41×32×32
	130-150	10	250	40×37×30
	140-160	10	250	40×37×30



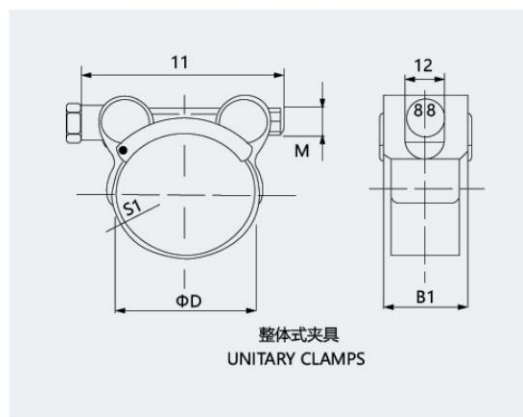
Single Head Solid Strong Clamp

单头实心强力卡箍



技术参数 / technical parameter

规格	钢带尺寸 Band size W1		螺丝尺寸 Screw size	只 / 箱 pcs/carton	外箱尺寸 Carton size	负载扭矩 Breaking torque	
	mm	inch					
17-19	18×0.6	0.709×0.024	M5×40	200	31×22×13	≥ 5Nm	
20-22				200	31×22×13		
23-25				200	30×25×12		
26-28				200	36×25×12		
29-31	20×0.8	0.787×0.031	M6×50	200	36×25×12	≥ 15Nm	
32-35				200	36×25×15		
36-39				200	36×25×15		
40-43				200	27×22×12		
44-47	22×1.2	0.866×0.047	M6×55	100	33×23×13	≥ 15Nm	
48-51				100	33×26×14		
52-55				100	33×26×14		
56-59				100	33×26×15		
60-63				100	33×28×16		
64-67				100	37×25×17		
69-73				100	40×28×19		
74-79	24×1.5	0.945×0.059	M8×70	100	35×17×20	≥ 25Nm	
80-85				50	35×18×21		
86-91				50	35×19×23		
92-97				50	35×21×24		
98-103				50	35×21×24		
104-112			M8×75	50	35×24×27		
113-121				50	36×26×29		
122-130				50	35×28×31		
131-139				M10×85	50		37×30×33
140-148					50		37×32×35
149-161	50	37×33×36					
162-174	M10×105	50	37×37×38				
175-187		25	39×38×21				
188-200		25	42×40×23				
201-213		25	43×38×24				
214-226		25	46×39×25				
227-239		25	50×40×26				
240-252		25	52×40×28				



φ	A mm(inch)	T mm(inch)	螺钉 Screw
17-19	18(7.09)	0.4(0.016)	M6×40
20-22			
23-25		0.6(0.024)	
26-28			
29-31	20(7.87)	0.6(0.024)	M6×50
32-35			
36-39			
40-43			
44-47	22(8.66)	0.8(0.031)	M6×60
48-52			
53-55			
56-59			
60-63			
64-67			
68-73			
74-79	24(9.45)	0.8(0.031)	M8×70
80-85			
86-91			
92-97			
98-103			
104-112			M8×80
113-121			
122-130			
131-139			
140-148			
149-161	26(10.24)	1.0(0.039)	M10×90
162-174			
175-187			
188-200			M10×100
201-213			
214-226			
227-239			
240-252			

备注: W1- 全部铁镀锌, 分彩锌和白锌; W2- 螺丝、轴、套管为铁镀锌; 钢带、舌板为不锈钢材料; W4- 全部为不锈钢 W5- 全部为 316 不锈钢材料
 Note: all W1-iron zinc,color zinc and zinc white branch; W2-screw, shaft, casing is galvanized steel; steel strip, the tongue plate made of stainless steel materials; W4-all stainless steel W5-for all 316 stainless steel materials.

宇我携手，杰创美好
HAND IN HAND WITH ME
CREATE BEAUTY TOGETHER

Cable waterproof
joint series

电缆防水接头系列



Plastic cable waterproof joint PG type

塑料电缆防水接头 PG 型



产品特点 /Product features

产品材质: A.C.F 部位采用 UL 认可的尼龙 PA66,B.E 部位采用丁腈橡胶

工作温度: 静态 -40°C至 100°C, 瞬时而耐热至 120°C, 动态 -20°C至 80°C

瞬间耐热至 100°C。

产品特性: 特殊的夹紧爪与橡胶件设计, 夹紧电缆范围, 夹紧电缆范围大抗拉力特强, 可防水, 防尘, 防盐, 耐酸碱, 酒精, 油脂及一般溶剂。

颜色种类: 黑色 (RAL9005)、浅灰 (RAL7035)、银色 (RAL7001) 特殊颜色可定做。

Product material: nylon PA66 approved by UL is used for A.C.F, and nitrile rubber is used for B. E

Working temperature: static - 40 °C to 100 °C , transient and heat-resistant to 120 °C , dynamic - 20 °C to 80 °C

Instantaneous heat resistance to 100 °C .

Product characteristics: special clamping claw and rubber part design, clamping cable range, large clamping cable range, strong tensile resistance, waterproof, dustproof, salt-proof, acid and alkali resistance, alcohol, grease and general solvent.

Color category: black (RAL9005), light gray (RAL7035), silver (RAL7001) special colors can be customized.



技术参数 /technical parameter

型号 Item No.	适用电缆 Cable Range		螺纹外径 Thread O.D.L2		螺纹长度 Thread Length L1		扳手尺寸 Spanner Size A&E		数量 / 袋 Qty/bag
	inch	mm	inch	mm	inch	mm	inch	mm	
PG7	0.118/ (0.256)	3-6.5	4.92	12.5	3.15	8	0.709/ (0.630)	18/16	100
PG9	0.157/ (0.315)	4-8	5.98	15.2	3.15	8	0.866/ (0.748)	22/19	100
PG11	0.197/ (0.394)	5-10	7.32	18.6	3.15	8	0.945/ (0.866)	24/22	100
PG13.5	0.236/ (0.433)	6-11	8.03	20.4	3.54	9	1.063/ (0.945)	27/24	100
PG16	0.394/ (0.512)	10-13	8.86	22.5	3.94	10	1.181/ (1.063)	30/27	100
PG19	0.472/ (0.591)	12-15	9.45	24	3.94	10	1.181/ (1.102)	30/28	100
PG21	0.512/ (0.709)	13-18	11.14	28.3	3.94	10	1.378/ (1.299)	35/33	100
PG25	0.630/ (0.827)	16-21	11.81	30	4.72	12	1.457/ (1.378)	37/35	50
PG29	0.709/ (0.984)	18-25	14.57	37	5.91	15	1.772/ (1.654)	45/42	50
PG36	0.866/ (1.260)	22-32	18.50	47	5.91	15	2.283/ (2.047)	58/52	20
PG42	1.260/ (1.496)	32-38	21.26	54	5.91	15	2.441/ (2.283)	62/58	20
PG48	1.457/ (1.732)	37-44	23.35	59.3	5.91	15	2.756/ (2.520)	70/64	20
PG63	1.654/ (1.969)	42-50	27.95	71	11.81	30	3.268/ (3.031)	83/77	10

Metal cable waterproof joint PG/G type

金属电缆防水接头 PG/G 型

产品特点 /Product features

材料：外部金属为黄铜镀镍，内部芯套为尼龙 66，密封材料为丁腈橡胶。

防护等级：在规定的卡扣范围之内，防护等级可以达到 IP68。

性能：通过 PoHS 认证。

温度范围：-40℃到 100℃，短时间可以达到 120℃

Material: the external metal is nickel plated brass, the internal core sleeve is nylon 66, and the sealing material is nitrile rubber.

Protection grade: within the specified buckle range, the protection grade can reach IP68.

Performance: PoHS certified.

Temperature range: - 40 °C to 100 °C , 120 °C in a short time



德国 PG 螺纹 /German PG thread

型号 Item No.	螺纹规格 Thread Dimension	适用电缆 Cable Range		螺纹外径 Thread O.D.L2		螺纹长度 Thread Length L1		加长型螺纹 Lengthened Thread Gl		扳手尺寸 Spanner Size A&E		数量 / 袋 Qty/bag
		inch	mm	inch	mm	inch	mm	inch	mm	inch	mm	
PG7	PG7	0.118-0.256	3-6.5	0.492	12.5	0.236	6	0.394	<10>	0.551	14	100
PG9	PG9	0.098-0.236	2.5-6	0.598	15.2	0.236	6	0.394	<10>	0.669	17	100
PG9	PG9	0.157-0.315	4-8	0.598	15.2	0.236	6	0.394	<10>	0.669	17	100
PG11	PG11	0.197-0.394	5-10	0.732	18.6	0.236	6	0.394	<10>	0.787	20	100
PG13.5	PG13.5	0.197-0.354	5-9	0.803	20.4	0.276	7	0.394	<10>	0.866	22	100
PG13.5	PG13.5	0.236-0.472	6-12	0.803	20.4	0.276	7	0.394	<10>	0.866	22	100
PG16	PG16	0.276-0.472	7-12	0.886	22.5	0.276	7	0.394	<10>	0.945	24	100
PG16	PG16	0.315-0.551	8-14	0.886	22.5	0.276	7	0.394	<10>	0.945	24	100
PG21	PG21	0.433-0.551	11-14	1.114	28.3	0.276	7	0.394	<10>	1.181	30	50
PG21	PG21	0.512-0.709	13-18	1.114	28.3	0.276	7	0.472	<12>	1.181	30	50
PG29	PG29	0.551-0.827	14-21	1.457	37	0.315	8	0.472	<12>	1.575	40	50
PG29	PG29	0.709-0.984	18-25	1.457	37	0.315	8	0.472	<12>	1.575	40	20
PG36	PG36	0.866-0.12.6	22-32	1.850	47	0.354	9	0.591	<15>	1.969	50	10
PG42	PG42	1.181-1.496	30-38	2.126	54	0.354	9	0.591	<15>	2.362	60	10
PG48	PG48	1.457-1.732	37-44	2.335	59.3	0.394	10	0.591	<15>	2.559	65	5
PG43	PG63	1.654-2.047	42-52	2.787	70.8	0.394	10	0.591	<15>	3.071	78	5

G 管螺纹 /G pipe thread

型号 Item No.	螺纹规格 Thread Dimension	适用电缆 Cable Range		螺纹外径 Thread O.D.L2		螺纹长度 Thread Length L1		加长型螺纹 Lengthened Thread Gl		扳手尺寸 Spanner Size A&E		数量 / 袋 Qty/bag
		inch	mm	inch	mm	inch	mm	inch	mm	inch	mm	
G3/8	G3/8"	0.157-0.315	4-8	0.656	16.662	0.236	6	0.394	<10>	0.787	20	100
G1/2	G1/2"	0.197-0.394	5-10	0.827	20.995	0.276	7	0.394	<10>	0.945	24	100
G1/2	G1/2"	0.236-0.472	6-12	0.827	20.995	0.276	7	0.394	<10>	0.945	24	100
G1/2	G1/2"	0.315-0.551	8-14	0.827	20.995	0.276	7	0.394	<10>	0.945	24	100
G3/4	G3/4"	0.236-0.472	6-12	1.041	26.441	0.276	7	0.394	<10>	1.181	30	100
G3/4	G3/4"	0.315-0.551	8-14	1.041	26.441	0.276	7	0.394	<10>	1.181	30	100
G3/4	G3/4"	0.512-0.709	13-18	1.041	26.441	0.276	7	0.472	<12>	1.181	30	50
G1	G1"	0.709-0.984	18-25	1.309	33.249	0.315	8	0.472	<12>	1.575	40	20
G1 1/4	G1 1/4"	0.866-0.1260	22-32	1.650	41.91	0.354	9	0.472	<12>	1.969	50	10
G1 1/2	G1 1/2"	1.181-1.496	30-38	1.882	47.803	0.354	9	0.591	<15>	2.362	60	10
G2	G2"	1.457-1.732	37-44	2.347	59.614	0.394	10	0.591	<15>	2.559	65	5
G2 1/2	G2 1/2"	1.654-2.047	42-52	2.960	75.19	0.394	10	0.591	<15>	3.071	78	5
G3	G3"	2.559-2.756	65-70	3.460	87.89	0.591	15	0.787	<20>	3.858	98	5

Nylon tie, nylon insert tie
Other accessories

尼龙扎带、尼龙嵌片扎带
其他配件



通用款电缆支架
Universal cable support



甘肃款电缆支架
Gansu cable support



电表 监控箱抱箍支架
Hoop bracket of electric
meter monitoring box

Nylon Cable tie

尼龙扎带

产品说明 /Product description

材质：采用 U 儿认可的尼龙 66 为原料，防火等级 94V-2，耐酸、耐蚀

绝缘性良好，不易老化，承受力强：

颜色：标准颜色为白色另有抗紫外线之黑色，特殊颜色欢迎订做

温度：零下 40°C -85°C。

Material: Nylon 66 approved by U is used as raw material, fire rating 94V-2, acid and corrosion resistance

Good insulation, not easy to aging, strong bearing capacity:

Color: the standard color is white and the ultraviolet resistant black. Special colors are welcome to order

Temperature: - 40 °C - 85 °C .



技术参数 /technical parameter

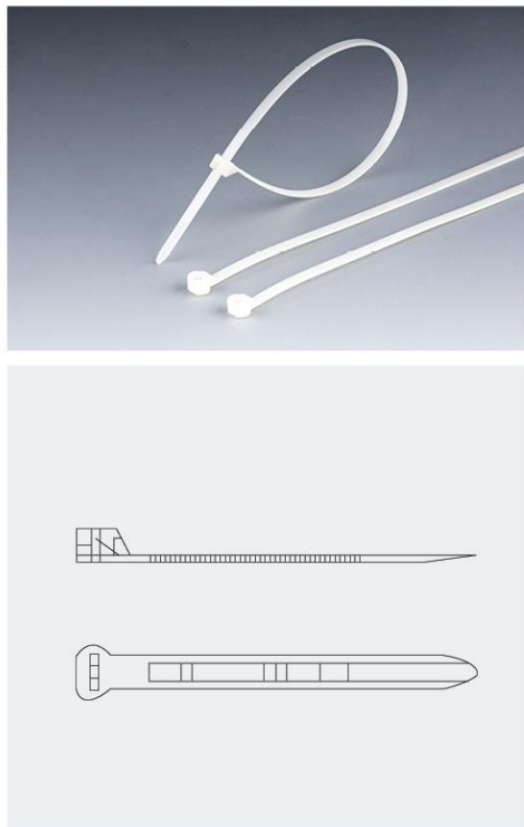
型号 Item No.	长 Long		宽 Wide		捆扎范围 E Bundle diameter		承受力 Tensile strength	
	inch	mm	inch	mm	inch	mm	LBS	KGS
YJ-2.5×60	2.4"	60	0.098	2.5	0.079-0.433	2-11	18	8
YJ-2.5×80	3.2"	80	0.098	2.5	0.079-0.630	2-16	18	8
YJ-2.5×100	4.0"	100	0.098	2.5	0.079-1.866	2-22	18	8
YJ-2.5×120	4.7"	120	0.098	2.5	0.079-1.181	2-30	18	8
YJ-2.5×150	6.0"	150	0.098	2.5	0.079-1.378	2-35	18	8
YJ-2.5×200	8.0"	200	0.098	2.5	0.079-1.969	2-50	18	8
YJ-3.6×150	6.0"	150	0.142	3.6	1.018-1.378	3-35	40	18
YJ-3.6×180	7.1"	180	0.142	3.6	1.018-1.772	3-45	40	18
YJ-3.6×200	8.0"	200	0.142	3.6	1.018-1.969	3-50	40	18
YJ-3.6×250	10"	250	0.142	3.6	1.018-2.559	3-65	40	18
YJ-3.6×280	11"	280	0.142	3.6	1.018-2.756	3-70	40	18
YJ-3.6×300	12"	300	0.142	3.6	1.018-3.150	3-80	40	18
YJ-3.6×370	14.6"	370	0.142	3.6	1.018-4.134	3-105	40	18
YJ-4.8×120	4.7"	120	0.189	4.8	1.018-1.181	3-30	50	22
YJ-4.8×200	8.0"	200	0.189	4.8	1.018-1.969	3-50	50	22
YJ-4.8×250	10"	250	0.189	4.8	1.018-2.559	3-65	50	22
YJ-4.8×280	11"	280	0.189	4.8	1.018-2.756	3-70	50	22
YJ-4.8×300	12"	300	0.189	4.8	1.018-3.150	3-80	50	22
YJ-4.8×350	14"	350	0.189	4.8	1.018-3.543	3-90	50	22
YJ-4.8×360	14.2"	360	0.189	4.8	1.018-3.701	3-94	50	22
YJ-4.8×370	14.6"	370	0.189	4.8	1.018-3.858	3-98	50	22
YJ-4.8×380	15"	380	0.189	4.8	1.018-4.016	3-102	50	22
YJ-4.8×400	16"	400	0.189	4.8	1.018-4.134	3-105	50	22
YJ-4.8×430	16.9"	430	0.189	4.8	1.018-4.724	3-120	50	22
YJ-4.8×450	17.7"	450	0.189	4.8	1.018-5.118	3-130	50	22
YJ-4.8×500	19.7"	500	0.189	4.8	1.018-5.906	3-150	50	22
YJ-7.2×300	12"	300	0.283	7.2	0.157(3.150)	4-80	120	55
YJ-7.2×400	16"	400	0.283	7.2	0.157(4.134)	4-105	120	55
YJ-7.6×370	14.6"	370	0.299	7.6	0.157(3.858)	4-98	120	55
YJ-7.6×500	19.7"	500	0.299	7.6	0.157(5.906)	4-150	120	55
YJ-8.8×800	31.49"	800	0.346	8.8	0.394(9.055)	10-230	175	79.4
YJ-8.8×1000	39.37"	1000	0.346	8.8	0.394(11.811)	10-300	175	79.4

Nylon cable tie-stainless steel Plate Lock Cable Tie 尼龙不锈钢嵌片扎带



产品特点 /Product features

- 材质: 采用 U 儿认可的尼龙 66 为原料, 防火等级 94V-2, 耐酸、不易老化, 承受力强
- 颜色: 标准颜色为白色 (尼龙本色) 和黑色 (防紫外线)
- 温度: 零下 40°C -85°C:
- 使用: 室内外都可用, 自锁式, 安装快捷方便。
- Material: Nylon 66 approved by U is used as raw material, with fire rating of 94V-2, acid resistance, anti-aging and strong bearing capacity
- Color: the standard color is white (nylon natural color) and black (UV resistant)
- Temperature: - 40 °C - 85 °C :
- Use: It can be used both indoor and outdoor, self-locking, fast and convenient installation.

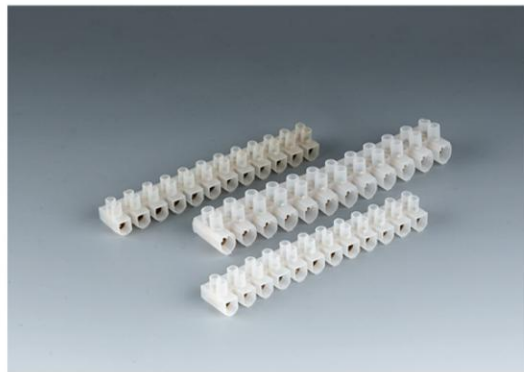
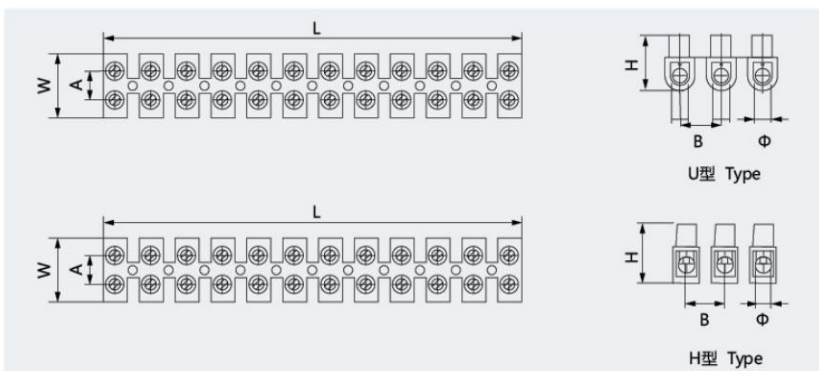


技术参数 /technical parameter

型号 Item No.	规格 Specification	长 Long		宽 Wide		捆扎直径 Max.Bundle dia		拉力 Min.Loop Tensile strength(N)
		inch	mm	inch	mm	inch	mm	
NZ-1	3×100	0.118	3	3.937	100	0.866	22	80
NZ-1	4×150	0.157	4	5.906	150	1.378	35	160
NZ-1	4×200	0.157	4	7.874	200	2.087	53	160
NZ-1	5×250	0.197	5	9.843	250	2.559	65	200
NZ-1	5×300	0.197	5	11.811	300	2.992	76	200
NZ-1	5×380	0.197	5	14.961	380	4.016	102	200
NZ-1	6×200	0.236	6	7.874	200	2.087	53	220
NZ-1	7×300	0.276	7	11.811	300	2.992	76	250
NZ-1	8×145	0.315	8	5.709	145	1.339	34	250
NZ-1	8×175	0.315	8	6.890	175	1.693	43	250
NZ-1	8×200	0.315	8	7.874	200	2.087	53	250
NZ-1	8×240	0.315	8	9.449	240	2.520	64	250
NZ-1	8×300	0.315	8	11.811	300	2.992	76	250
NZ-1	8×400	0.315	8	15.748	400	4.016	102	500
NZ-1	10×300	0.394	10	11.811	300	2.992	76	500
NZ-1	10×350	0.394	10	13.780	350	3.819	97	500
NZ-1	10×400	0.394	10	15.748	400	4.016	102	550
NZ-1	10×450	0.394	10	17.717	450	4.724	120	550
NZ-1	10×600	0.394	10	23.622	600	7.323	186	550

产品特点 / Product features

- ◆ PE, 聚乙烯 适用温度: -40°C to 65°C, 瞬时可达: 80°C
- ◆ PP, 聚丙烯 适用温度: -30°C to 90°C, 瞬时可达 110°C
- ◆ PA, 尼龙 66 适用温度: -35°C to 120°C, 瞬时可达 140°C
- ◆ 黄铜, 铁质螺丝
- ◆ 适用电压范围: 250 - 450V
- ◆ PE, PE applicable temperature: -40 °C to 65 °C, instantaneous temperature: 80 °C
- ◆ Applicable temperature of PP and polypropylene: -30 °C to 90 °C, up to 110 °C instantaneously
- ◆ PA, nylon 66 Applicable temperature: -35 °C to 120 °C, instantaneous up to 140 °C
- ◆ Brass, iron screw
- ◆ Applicable voltage range: 250 - 450V



通用 U 型接线端子 / U Type

编号 Item NO.	L mm(inch)	W mm(inch)	H mm(inch)	A mm(inch)	B mm(inch)	孔径 Φ		额定电压 Rated Voltage	额定电流 Rated Current	导线范围 Wire Range
						mm	inch			
TBS-3A	90.3(3.555)	15.5(0.610)	11.5(0.453)	6(0.236)	7.7(0.303)	φ3.0	φ0.118	380V	3A	2.5-4.0mm ²
TBS-6A	110.5(4.350)	15.5(0.610)	12.4(0.488)	6.5(0.256)	9.5(0.374)	φ3.2	φ0.126	380V	6A	4.0-6.0mm ²
TBS-10A	116.7(4.594)	20(0.787)	14.9(0.587)	8(0.315)	10(0.394)	φ4	φ0.157	380V	10A	6.0-10.0mm ²
TBS-16A	136.8(5.386)	21.5(0.846)	16.7(0.657)	10(0.394)	11.7(0.461)	φ4.2	φ0.165	380V	16A	10.0-12.0mm ²
TBS-20A	153.5(6.043)	24.5(0.965)	17.4(0.685)	11.5(0.453)	13.2(0.520)	φ4.3	φ0.169	380V	20A	12.0-14.0mm ²
TBS-30A	164.6(6.480)	25(0.984)	18.8(0.740)	12(0.472)	14.1(0.555)	φ5.5	φ0.217	380V	30A	16mm ²
TBS-60A	187.6(7.386)	29(1.142)	23.5(0.925)	12(0.472)	16(0.630)	φ6.8	φ0.268	380V	60A	25mm ²
TBS-80A	205(8.071)	33(1.299)	27(1.063)	15(0.591)	17(0.669)	φ7.0	φ0.276	400V	80A	35mm ²
TBS-100A	250(9.843)	46(1.811)	31(1.220)	22(0.866)	21(0.827)	φ9.0	φ0.354	400V	100A	40mm ²

通用 H 型接线端子 / H Type

编号 Item NO.	L mm(inch)	W mm(inch)	H mm(inch)	A mm(inch)	B mm(inch)	孔径 Φ		额定电压 Rated Voltage	额定电流 Rated Current	导线范围 Wire Range
						mm	inch			
TBS-3A	90.8(3.575)	15.5(0.610)	12.4(0.488)	6(0.236)	7.8(0.307)	φ3.0	φ0.118	380V	3A	2.5-4.0mm ²
TBS-6A	111.4(4.386)	15.5(0.610)	13.5(0.531)	6.5(0.256)	9.6(0.378)	φ3.2	φ0.126	380V	6A	4.0-6.0mm ²
TBS-10A	116.4(4.583)	20(0.787)	15.3(0.602)	8(0.315)	10(0.394)	φ4	φ0.157	380V	10A	6.0-10.0mm ²
TBS-16A	133.8(5.268)	22.7(0.894)	16(0.630)	10(0.394)	11.5(0.453)	φ4.2	φ0.165	380V	16A	10.0-12.0mm ²
TBS-20A	152.2(5.992)	24.6(0.969)	16(0.630)	11.5(0.453)	13.2(0.520)	φ4.2	φ0.165	380V	20A	12.0-14.0mm ²
TBS-30A	162(6.378)	25(0.984)	19.3(0.760)	12(0.472)	13.9(0.547)	φ5.5	φ0.217	380V	30A	16mm ²
TBS-60A	184.6(7.268)	28.6(1.126)	23(0.906)	12(0.472)	15.8(0.622)	φ6.8	φ0.268	380V	60A	25mm ²

△ 手册由温州宇杰电器有限公司印制，用于说明产品相关的信息。可能因技术升级或生产工艺改进相关内容，对手册的印刷错误及不准确的信息进行改进和更改，不另行通知。
联系本公司，以证实相关信息。

This manual is used to describe information related to the product. The printing errors and inaccurate information of the manual may be improved and changed without further notice due to technical upgrading or production process improvement.
Contact our company to confirm relevant information.

♻️ 采用环保纸印刷

Printed with environment-friendly paper



温州宇杰电器有限公司

WENZHOU YUJIE ELECTRICAL APPLIANCE CO., LTD

地址：浙江省温州市乐清市柳市镇龙井路麻小巷工业区292号

Add: No. 292, Maxiaoxiang Industrial Zone, Longjing Road, Liushi Town
Yueqing City, Wenzhou City, Zhejiang Province

电话(Tel): 0577-61750793 0577-62799567 0577-61733796

网址(Web): www.yujiedq.com

邮箱(E-mail): info@yujiedq.com